

## Globally Approved Vertical Fall Arrest System



- Globally Certified to ANSI, CE and CSA standards, so can be used anywhere in the world.
- Choice of Cable Options for flexibility of installations, allows the best cable option be used per application.
- Certified with 8mm (5/16") and 9.25mm (3/8") Lad-Saf® cable.
- Passes fall back test using anthropomorphic dummy in numerous fall positions, giving peace of mind and confidence when using.
- Choice of stainless steel or galvanised steel options for both cable and bracket options allowing for use both on and off-shore.

## Vertical Fall Arrest Systems

Vertical Fall Arrest Systems ensure that users remain safe whilst climbing.

It is important that the user can ascend and descend comfortably and safely, which is why the Lad-Saf® system has been so popular over the years.

It has been available for over 30 years and is the biggest selling vertical fall arrest system. It has been installed in all continents across the globe and is this experience which has led the development of one fully certified system, including the shuttle that is now the new standard Lad-Saf® system.

From telecommunications and oil and gas to wind turbines and utility towers, the Lad-Saf® system has the flexibility to allow connection to all of the wide range of structures there may be.

## Global Safety

The new Lad-Saf® sleeve has been designed to meet all applicable safety standards around the world, in conjunction with other Lad-Saf® components, creating a universally approved vertical fall arrest system. This means that the Lad-Saf® system can be used the world over and there is no requirement for different components in each region around the globe.

The whole system is certified to EN 353-1:2002, ANSI-ASC A14.3-2008 and CSA-Z259.2.1-98 (R2004).

Users only need one product or system specification across the globe unlike with previous versions where different specifications are required. This is essential for multi-national organisations who have assets globally, but are not able to purchase from one hub, instead having to purchase in different regions which can cause confusion. With a globally approved system it can be specified globally and purchased through a single purchasing location.

## System Usage

The Lad-Saf® system retains its ability to allow up to 4 users use the system at once and enables them to connect and disconnect at any point of the lifeline.

The design also allows the shuttle to remain attached to the user to eliminate the potential for dropping and creating Lost Time Incidents or causing potential injury. Alongside the new shuttle the new Lad-Saf® system has extra options. Previous versions have only allowed 9.25mm (3/8") cable be used which can be difficult to handle especially in confined environments. The new global system introduces the availability of 8mm (5/16") cable options. There are new top bracket assemblies for the range of 8mm cables too. New internal components are used within the head assembly to ensure optimal performance and safety. It is important to ensure that the correct bracket is used with the correct diameter of cable. Housed inside are the elastometric attenuator (shock absorbing element) and the strand vice, specific for the cable diameter used.



### KC3PL330/6100400 - Intermediate Cable Guide

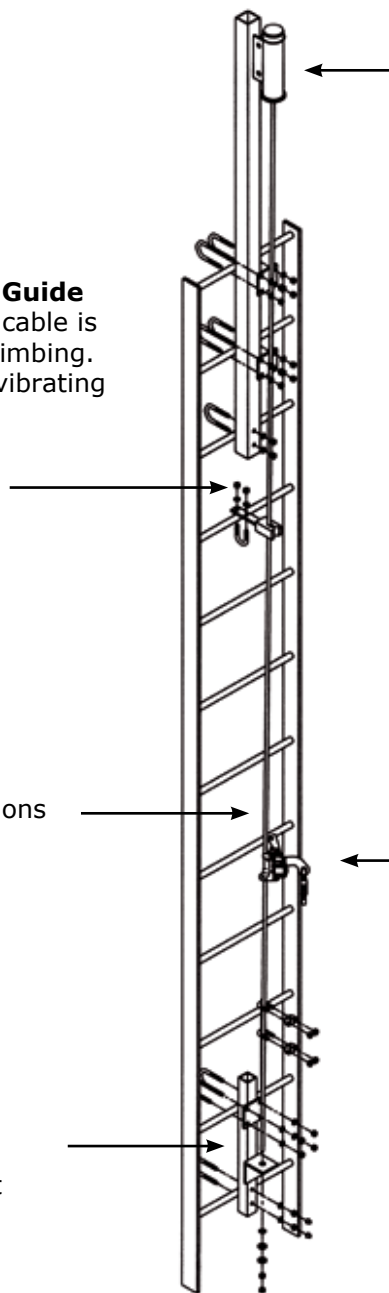
Galvanised intermediate cable guide to ensure cable is distanced away from the ladder to aid easier climbing. Polyurethane guide piece prevents cable from vibrating causing potential damage to the cable. Rung fix to ladder other fixing options and stainless steel product also available.

### Lad-Saf® Cable

See "Cable options" specification below for options available. Only Capital Safety cable permitted.

### KC3PL90/6100090 - Bottom Bracket

Galvanised bracket to be attached to ladder by using 2 off rung fixings. Cable gripped to tensioner bar and bar tensioned to pre-determined value to provide the correct tension on the lifeline. Other fixing options and stainless steel product also available.



### KC3PL280/6116280 (9.25mm/3/8") or 6116278 (8mm/5/16") Top Bracket

Galvanised bracket to be attached to ladder by using 3 off rung fixings. Contains elastometric attenuator (shock absorber) and strand vice for termination of the cable. Other fixing options and stainless steel product also available.



### 6116507 - Global Sleeve

Cable Sleeve for connection on to Lad-Saf® 8mm (5/16") and 9.25mm (3/8") cable. Incorporates shock absorber but remains less than 9" from cable for ANSI/OSHA requirements. Removable at any point on the lifeline.

### Cable options available:

**7240212** : 1x19 strand, 8mm (5/16") Stainless Steel

**6126xxx** (xxx length in feet) : 7x19 strand, 8mm (5/16") Galvanised Steel

**KC36152xxx** (xxx length in feet) : 1x7 strand, 9.25mm (3/8") Stainless Steel

**KC36151xxx** (xxx length in feet) : 1x7 strand, 9.25mm (3/8") Galvanised Steel

### Specifications:

**Top Bracket:** Contains elastometric attenuator (for shock absorption), Fixing options : rung, weld-on. Up to 4 users capability.

Material : Stainless steel or galvanised options **Cable:** see above **Bottom Bracket:** Cable attachment using cable grip.

Fixing options: rung fix, bolt-on, weld-on. Material : stainless steel or galvanised options **Fall Arrest Device (Ref 6116507) :**

1 user per device, Max weight per user : 141kg. Material : 17-4-PH grade stainless steel **Standards:** EN353-1:2002,

ANSI-ASC A14.3-2008, CSA-Z259.2.1-98 (R2004).



**capital**  
S A F E T Y

### ***Leaders in safety innovation***

Capital Safety, home of the DBI-SALA and PROTECTA brands is the world's leading manufacturer dedicated solely to fall protection. We are also the pioneer in the development of intelligent safety technology, leading the way toward a new era of safety management solutions. We are committed to providing new and improved systems to give you the complete confidence you need in your safety program.

- QUALITY for the performance you can trust.
- BREADTH for the best and most cost effective solutions.
- EXPERTISE to meet your unique fall protection requirements.
- TRAINING to ensure and motivate safety compliance.
- INNOVATION to improve your safety and productivity.



## **C o n t a c t   U s   T o d a y**

**Tel : +33 (0) 4 97 10 00 10**  
**[www.capitalsafety.com](http://www.capitalsafety.com)**

**Capital Safety Group (Europe, Middle East, Africa)**  
Le Broc Center - BP 15  
Z.I. 1<sup>re</sup> Avenue 5600 m  
06511 Carros Le Broc Cedex - France

Tel : +33 (0) 4 97 10 00 10  
Fax : +33 (0) 4 93 08 79 70

[information@capitalsafety.com](mailto:information@capitalsafety.com)  
[www.capitalsafety.com](http://www.capitalsafety.com)

**Tel : +44 (0) 1928 571324**  
**[www.capitalsafety.com](http://www.capitalsafety.com)**

**Capital Safety Group (Northern Europe) Ltd**  
7, Christleton Court - Stuart Road  
Manor Park - Runcorn  
Cheshire - WA7 1ST - UK

Tel : +44 (0) 1928 571324  
Fax : +44 (0) 1928 571325

[csgne@capitalsafety.com](mailto:csgne@capitalsafety.com)  
[www.capitalsafety.com](http://www.capitalsafety.com)