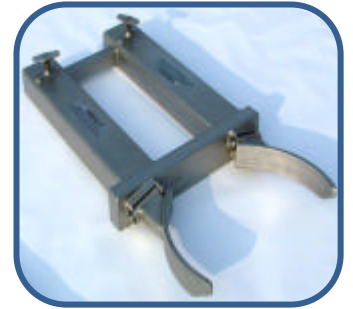


Fork Mounted Drum Handler (FDH) Stainless Steel

Our best selling drum handler has a fully automatic action. The attachment has two curved arms which hinge at one end. To lift a drum, approach it with the clamp arms horizontal and positioned halfway up the drum, between two rolling hoops. When the arms contact the drum they will open automatically, falling back around the drum as you proceed forwards. When the attachment is raised the arms will grip the drum tightly under the upper rolling hoop

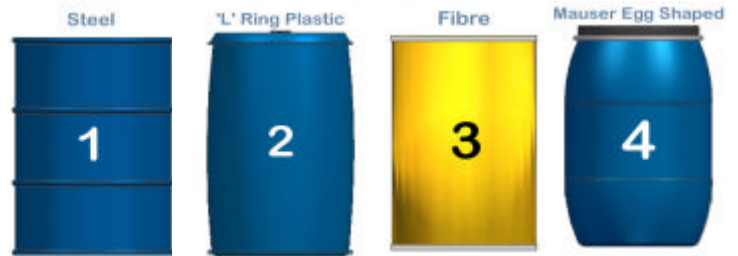
CONTACT Fork Mounted Drum Handlers are the entry level drum grab designed solely for handling steel drums with rolling hoops. Ideal for low to medium volume movement of drums around the factory or store. Fully automatic operation.



Model Ref:	Capacity (kg)	No of Drums	Drum Types	A' Load Centre (mm)	B' Fork Spread (mm)	C' Fork Width (mm)	D' Fork Thickness (mm)
FDH-1-SS	500	1	1	1110	560	140	50
FDH-2-SS	1000	2	1	1110	880	140	50

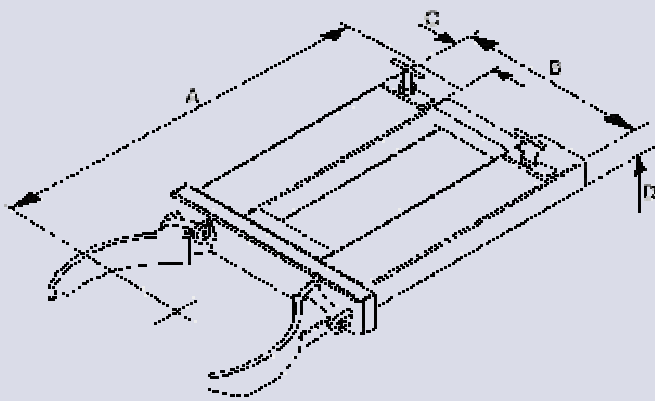
Model Ref:	Weight (kg)	C of G (mm)	LLC (mm)
FDH-1-SS	58	470	130
FDH-2-SS	75	589	130

Ordering Information:



Drum Type
Truck Capacity

Drum Weight
Fork Width/Thickness



Note: Lost Load Centre measured from tip of forks