

Product Guide Sheet

Fork Mtd Hydraulic Extender Jib

Our Fork Mounted Hydraulic Extending Jib offers the flexibility to handle varying loads at different load centres. The hydraulically extendable inner beam can be moved to suit your desired load centre and offer a solution to previously inaccessible loads. To fit, simply drive slowly forwards into the attachment, until the truck forks are fully sleeved, then simply fit the heel pins provided behind the forks to retain the attachment. Ensure the attachment is fully secured before lifting commences.

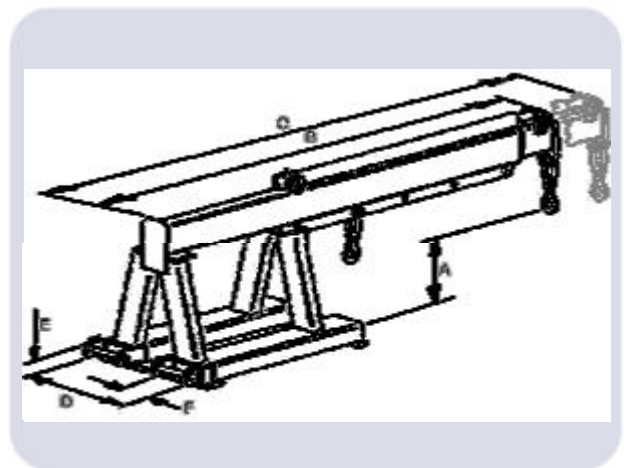
Our Fork Mounted Extending Jibs allow transportation of long loads. The two hooks provided allow loads to be slung at greater centres than with conventional fixed jibs. The greater length available allows loads to be picked up from otherwise inaccessible areas. Supplied with two swivel hooks. This jib is *Hydraulic Extension*.



Model Ref.	Truck Capacity	"A" Hook Height	"B" Closed Length	"C" Open Length	"D" Fork Spread	"F" Fork Width	"E" Fork Thickness
FMXH 500-1.8	2000kgs	191mm	2000mm	3000mm	496mm	150mm	50mm
FMXH 500-2.2	2500kgs	193mm	2000mm	3000mm	496mm	150mm	50mm
FMXH 500-2.7	3000kgs	176mm	2000mm	3000mm	546mm	150mm	50mm
FMXH 500-3.1	3500kgs	163mm	2000mm	3000mm	546mm	150mm	50mm
FMXH 500-3.5	4000kgs	137mm	2000mm	3000mm	546mm	150mm	50mm

Model Ref.	Weight	C of G Min	C of G Max
FMXH 500-1.8	170kgs	928mm	1125mm
FMXH 500-2.2	185kgs	928mm	1125mm
FMXH 500-2.7	220kgs	921mm	1103mm
FMXH 500-3.1	240kgs	921mm	1010mm
FMXH 500-3.5	258kgs	921mm	1103mm

Ordering Information
 Truck Capacity
 Fork Width/Thickness/Spread
 Load Details



Model Ref.	Capacity (kgs) @ Load Ctrs (mm)								
	1000	1250	1500	1750	2000	2250	2500	2750	3000
500-1.8	1100	900	720	580	500	360	330	260	210
500-2.2	1400	1100	1000	850	750	560	440	320	230
500-2.7	1450	1200	1100	900	840	670	490	360	270
500-3.1	1900	1500	1200	1000	900	730	580	450	370
500-3.5	2000	1600	1300	1100	1000	820	670	540	460