

## 20t VERSION

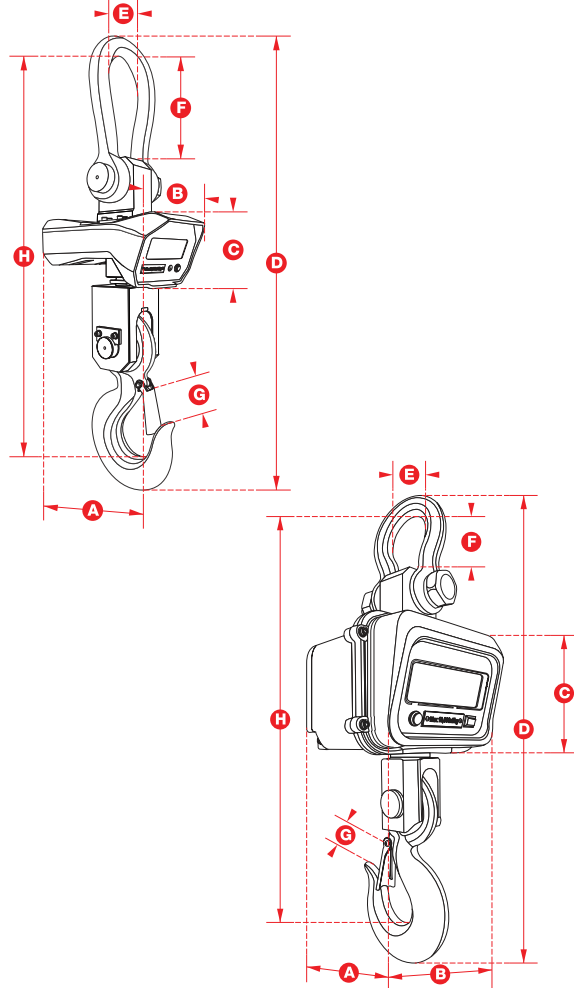


## 5t and 10t VERSION



Heavy duty crane scale designed to be used in the harshest industrial environments.  
Available in capacities 5, 10 and 20 tonne.  
Bright LED display makes it easy to read in the lowest light applications.  
Large keys make operation simple even if wearing gloves.  
Supplied with remote control with tare and hold facility.

DIMENSIONS (SEE TABLE BELOW)



Part Number	JW5T	JW10T	JW20T
Capacity	5000kg	10,000kg	20,000kg
Resolution	2kg	5kg	10kg
Units	kg	kg	kg
Weight	18kg	29kg	75kg
Safety Factor	5:1		
Battery Type	Internal rechargeable		
Battery Life	20 hours		
Display Type	30mm LCD		
Op Temp	-10 to 40c		
Accuracy	± 0.3% of applied load		
Dimension A	195	195	355
Dimension B	225	255	230
Dimension C	180	180	165
Dimension D	715	780	1115
Dimension E	72	90	140
Dimension F	90	110	230
Dimension G	36	50	70
Dimension H	595	660	980

PRICES AND SPECS [mm]

# JUMBOWEIGHER

