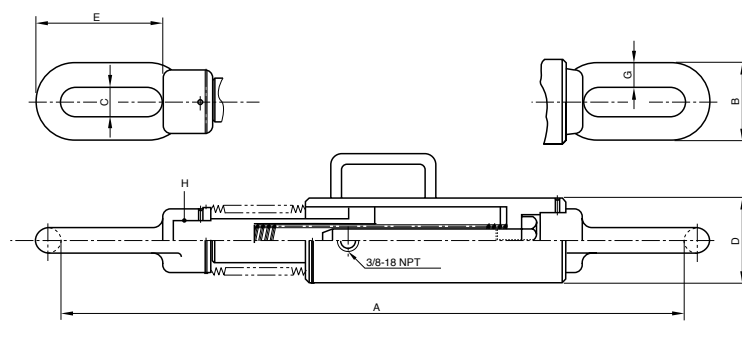


Technical data model YPL

| Cylinder size | Model | EAN-No. 4025092* | Pulling force max. kN | Lift mm | Effective plunger area cm ² | Oil volume max. cm ³ | Length between links mm | Weight kg |
|---------------|-------------|---------------------|-----------------------------|------------|---|---------------------------------------|----------------------------------|--------------|
| t | | | | | | | | |
| 10 | YPL-10/150 | *152822 | 100 | 150 | 14.2 | 213 | 750 | 9 |
| 20 | YPL-20/150 | *152839 | 200 | 150 | 30.6 | 459 | 795 | 22 |
| 30 | YPL-30/150 | *152846 | 300 | 150 | 42.6 | 639 | 875 | 29 |
| 51 | YPL-51/150 | *157858 | 510 | 150 | 74.6 | 1120 | 955 | 59 |
| 10 | YPPS-10/150 | *152853 | 100 | 150 | 14.2 | 213 | 750 | 19 |

Dimensions model YPL

| Model | YPL-10/150 | YPL-20/150 | YPL-30/150 | YPL-51/150 | YPPS-10/150 |
|-------|------------|------------|------------|------------|-------------|
| A, mm | 749 | 795 | 875 | 955 | 749 |
| B, mm | 78 | 95 | 120 | 150 | 78 |
| C, mm | 32 | 35 | 56 | 70 | 32 |
| D, mm | 68 | 105 | 121 | 156 | 68 |
| E, mm | 120 | 120 | 150 | 150 | 120 |
| G, mm | 23 | 30 | 32 | 40 | 23 |
| H, mm | M24 x 1.5 | M45 x 2 | M50 x 2 | M60 x 2 | M24 x 1.5 |



Model YPL