



## Lifting clamp model THK

Capacity 750 - 9000 kg

The THK lifting clamp, when used in pairs, is especially well-suited for horizontal transport of thin plates that have a tendency to sag.

It is normally used in combination with a two-legged chain sling.

The capacity applies to a pair of lifting clamps.



**The angle from the vertical must not exceed 30°.**

### Technical data model THK

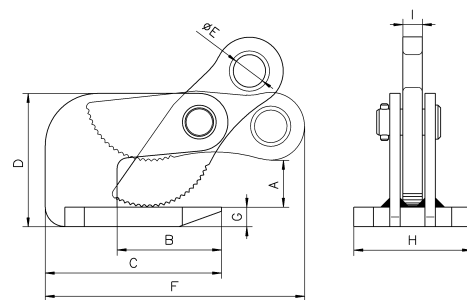
Model	EAN-No. 4025092*	Capacity* kg	Jaw capacity mm	Weight** kg
THK 0.75	*550628	750	0 - 25	1.7
THK 1.5	*550284	1500	0 - 35	3.2
THK 3.0	*550390	3000	0 - 35	5.7
THK 4.5	*551120	4500	0 - 45	8.4
THK 6.0	*551038	6000	0 - 60	11.6
THK 9.0	*551960	9000	0 - 60	17.9

\*Per pair, angle up to 30° from the vertical

\*\*Per unit

### Dimensions model THK

Model	THK 0.75	THK 1.5	THK 3.0	THK 4.5	THK 6.0	THK 9.0
A, mm	25	36	38	48	63	65
B, mm	72	80	93	103	124	113
C, mm	118	135	168	183	214	223
D, mm	81	102	119	140	176	188
Ø E, mm	20	25	30	30	35	40
F, mm	161	198	227	238	284	317
G, mm	12	15	20	25	30	35
H, mm	86	102	110	122	110	148
I, mm	12	15	20	20	20	20



Model THK