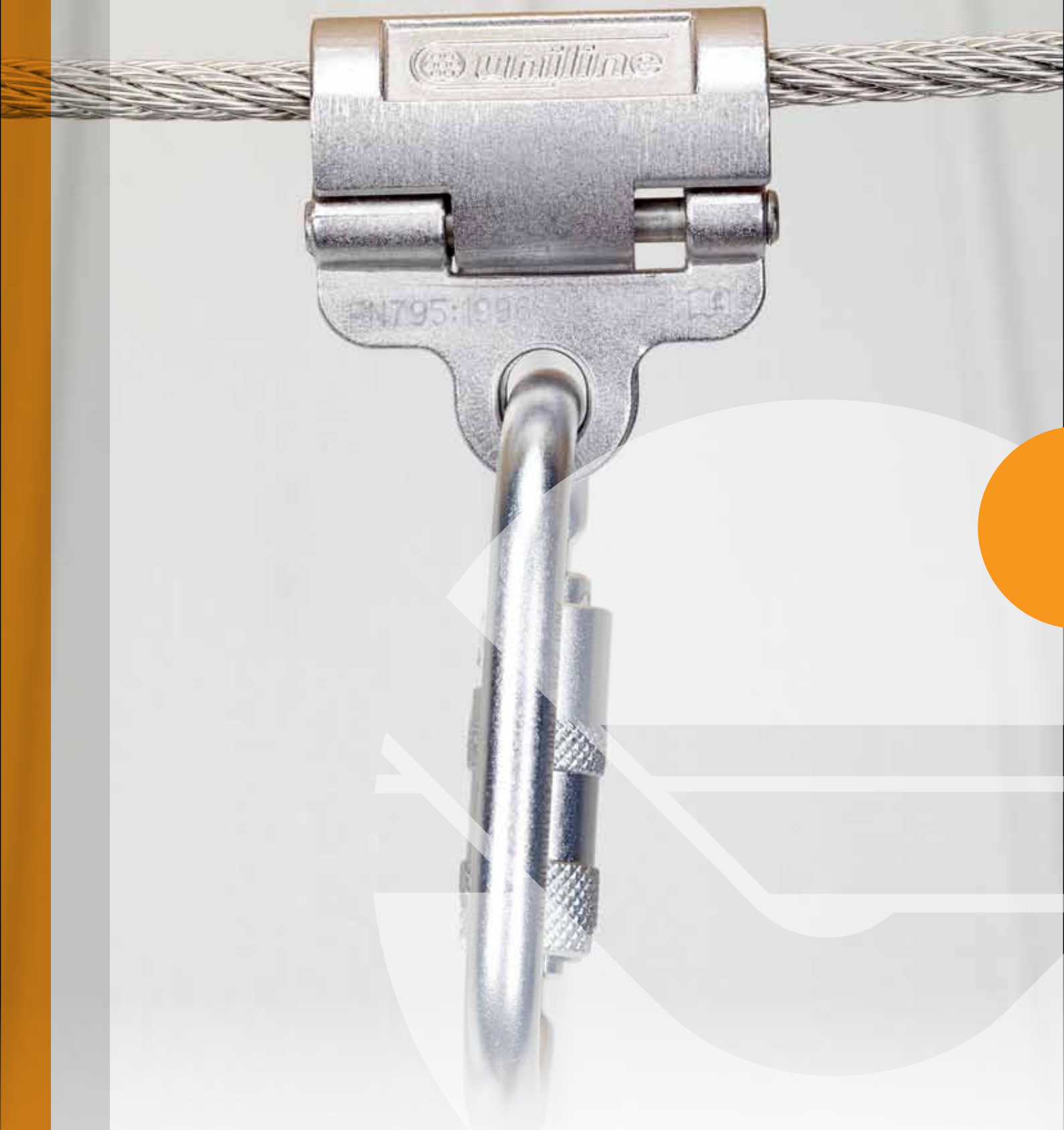


Uniclass L773	EPIC N57
CI/SIB	
(66.3)	Xt6

20060384

Issue No: 2

Issue Date: May 2010



Uni-8[®] Horizontal Lifeline[®]
Cable Fall Protection System



Uni-8[®] Horizontal Lifeline[®] cable fall protection system



working safely at heights

A workplace is considered to be at height if a person could be injured when falling from it, even if it is at or below ground level. This means that work place risks need to be carefully assessed and appropriate and proportionate control measures implemented in order to mitigate such risks. The Uni-8 Horizontal Lifeline System combined with good management controls provides a simple, yet comprehensive solution that will ensure compliance with current regulations in many circumstances.

The Uni-8 product is well suited to modern building projects, refurbishments and can also be used for a wide range of industrial safety applications.

The product is high quality, whilst providing excellent value for money. In typical

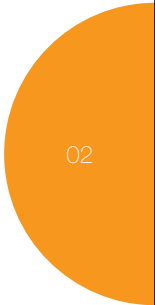
circumstances, the product can span up to 12m between support brackets. Uni-8 offers excellent functionality through it's free flowing bypass capability and can navigate corners and contours in building designs. Minimal moving parts and high grade materials ensure long life expectancy, low cost of ownership and add up to a sound investment. The system can be fitted to many types of structure and can also support multiple workers for both fall arrest and work restraint applications.

Detailed information to ensure safe system design and integration is provided by our comprehensive Uniline for Windows software programme and further enhanced by a comprehensive installation network.

contents

working safely at heights	02
features & benefits	03
components	04

for more information about our range of equipment visit our website at www.unilinesafety.com





features & benefits

- high quality 316 stainless steel cable fall protection system offering excellent freedom of movement
- navigates corners and building contours
- in line energy absorbers protect buildings and structures
- spans of up to 12m (39.36ft) between intermediate supports
- electropolished components provide long-term corrosion resistance**
- a discreet and unobtrusive solution
- system performance calculated using bespoke design software
- conforms to EN795 Class C, OSHA 1915.159 & 1926.502M, ANSI Z359.1 2007 and AS/NZS 1891.2
- CE Marked

**some aggressive environments can cause corrosion and discolouration of stainless steel

03

robust, functional cost effective

Unieye End Anchorage Connector – 316 Stainless Steel, electropolished, Serial Numbered – 67kN (14,773lbs) min breaking strength

Uni-8 System Tensioner – 316 stainless steel with anti-seizure tensioning unit and tension indicator disc

Uni-8 90 and 45 degree corners. 316 stainless steel, electropolished. Other angles achieved using variable bracket (UI0404-VB)



A. UE0100A



B. U8T0400/0402/0405



C&G. U80405/0406/0407/0411



D. U80800

8mm (5/16") 7x7 316 stainless steel cable – min breaking strength 38kn (8,542lb).



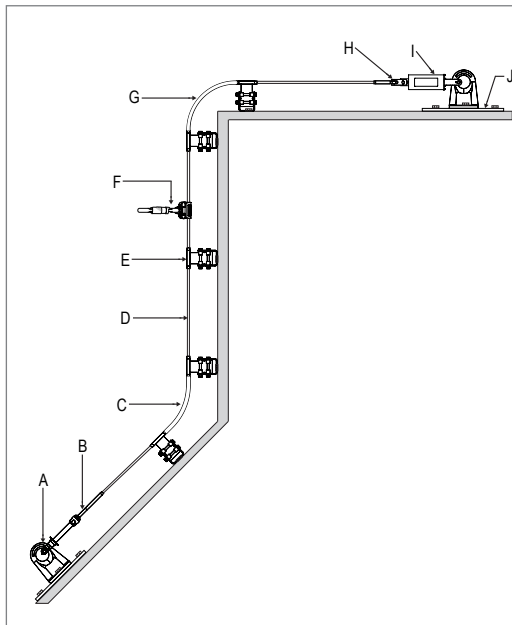
E. UI0404

Uni-8 intermediate bracket – 316 stainless steel, electropolished. Variable positioning available to suit a range of applications. Re-orientates load in the event of a fall.



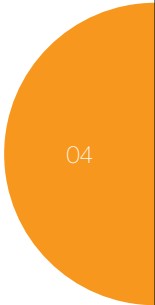
F. UG0800A

Unigrab Attachment Device weighs only 0.29kg (0.64lbs) and fits in the palm of your hand. Can be attached at any point along the system. 316 stainless steel, electropolished and serial numbered.



- A Unieye (UE0100A)
- B 8mm Roll Swage 0.8kN Tensioner (U8T0400)*
8mm Hex Swage 0.8kN Tensioner (U8T0402)
8mm Swageless 0.8kN Tensioner (U8T0405)*
- C 8mm Tube Only 45° (U80406)
- D 7x7 8mm Stainless Steel Cable (U80800)
- E 8mm Intermediate Bracket (UI0404)
- F UniGrab (UG0800A)
- G 8mm Tube Only 90° (U80405)
- H 8mm Roll Swage Toggle (U8S0401)*
8mm Hex Swage Toggle (U8S0403)
8mm Swageless Toggle (U8S0406)*
- I Inline Energy Absorber (UA0600)
- J Wall Plate Anchor (UP0112A)

*This component is different from the one illustrated.
Fasteners for fixing to the structure are not supplied. For more detailed component information refer to the individual datasheets.



Uni-8 Swage Toggles – 316 Stainless Steel



H. U8S0401/0403/0404

Inline Force Management Energy Absorber – 316 Stainless Steel, electropolished



I. UA0600

Wall Anchor Plate – 316 Stainless Steel, electropolished. 50kN min breaking strength



Uniline Safety Systems is a leading international manufacturer of fall protection products and systems. Through a combination of expert knowledge and practical experience, we can help our customers reduce risk and increase safety when working at height.

Uniline's comprehensive range of products offers fully compliant, practical solutions for structures of all types, in all industries. Our ethos of delivering quality, service, training and support for our customers has earned Uniline a deserved reputation for excellence around the world.

Operating through specialist safety companies in over 25 countries, Uniline provides local support and installation services to meet the specific safety objectives of all our customers.



If you need a safety solution for roof access during maintenance and inspection tasks, then look no further than Uniline's RoofSafe product range. Our products, including roof anchors, horizontal lifelines & horizontal rail systems offer comprehensive protection for workers on all types of roofs.



MultiSafe comprises three of the best known brands in fall protection safety: Uni-8, Uni-16, and UniRail. The versatility of these products combined with Uniline's expertise in fall protection ensures we can solve even the most complex of height safety problems in industry, construction, façade access and for all manner of building maintenance and inspection tasks.



The best vertical fall protection systems in the world won't let you down. The extensive development of the EasyClimber range of products for vertical structures including masts, towers, pylons, wind turbines, silos, bridges and chimney stacks ensures customers will enjoy the safest and most functional climbing experience possible.



A range of intuitive rescue and access products to aid recovery of workers after a fall or in an emergency at height. The diversity of Uniline's Rescue range ensures we can provide a solution for all types of rescue situations whilst keeping safety the top priority.



because lives depend on it

www.unilinesafety.com

local distributor/systems integrator

Uniline Safety Systems Limited

UK

5a Merse Road
North Moons Moat
Redditch, Worcestershire
B98 9HL

t: +44 (0) 1527 548 000
f: +44 (0) 1527 591 000

USA

17200 Chenal Parkway
Suite #352
Little Rock, AR 72223
USA

t: +01 (501) 517 6056
f: +01 (501) 325 3477

AUSTRALIA

Factory 1
4 Reichert Drive, Molendinar
Queensland 4214
Australia

t: +61 (7) 5563 1900
f: +61 (7) 5571 7093