

# JDN AIR HOISTS PROFI 3 TI / 6 TI

THE JDN SOLUTION FOR SUBSEA HOISTING



## Your benefits

- Air or hydraulics
- Variable speed control
- Overload protected
- Down to 70 m water depth
- Hook suspended super versatile tool
- Also for horizontal and oblique use



**J.D. NEUHAUS**  
powered by air!

# TECHNICAL DATA

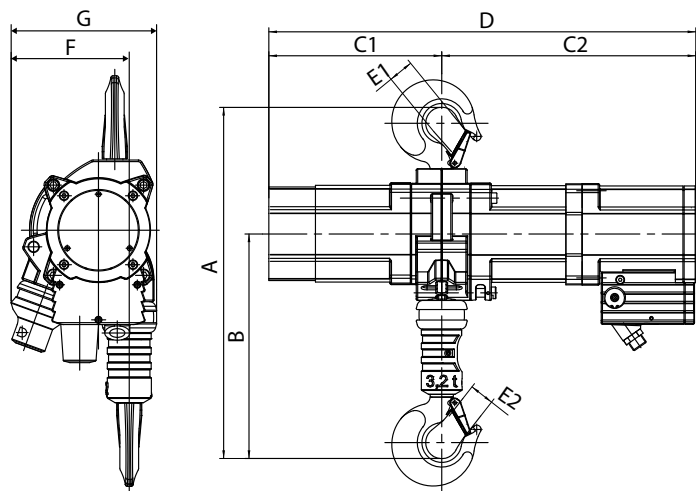
## JDN AIR HOISTS PROFI 3 TI/6 TI-SUBSEA

PROFI		3 TI-SUBSEA	6 TI-SUBSEA
Air pressure range	psi bar	85 6	85 6
Carrying capacity	mt	3.2	6.3
Number of chain strands		1	2
Engine output	kW	3	3
Lifting speed at full load <sup>1</sup>	ft/min m/min	7.5 2.3	3.9 1.2
Lowering speed at full load <sup>1</sup>	ft/min m/min	17.7 5.4	8.9 2.7
Air consumption at full load - Lifting	cfm m <sup>3</sup> /min	142 4	142 4
Air consumption at full load - Lowering	cfm m <sup>3</sup> /min	195 5.5	195 5.5
Air connection		G1	G1
Hose dimension (Ø inside)	mm	25-39	25-39
Weight at standard lift	lbs kg	331 150	356 161,5
Chain dimension	mm	13 x 36	13 x 36
Weight of chain	lbs/ft kg/m	2.6 3.8	2.6 3.8
Standard lift	ft m	10 3	10 3
Length of control at standard lift	ft m	6.5 2	6.5 2
Max. water depth	ft m	180 <sup>2</sup> 55 <sup>2</sup>	180 <sup>2</sup> 55 <sup>2</sup>

<sup>1</sup> at an air supply hose with a length of 138 ft /42 m. <sup>2</sup> higher depths on request.

### Dimensions

PROFI		3 TI-SUBSEA	6 TI-SUBSEA
A	inch mm	23.3 593	26.5 674
B	inch mm	14.7 373	17.9 454
C1	inch mm	11.8 300	11.8 300
C2	inch mm	17.9 455	17.9 455
D	inch mm	29.7 755	29.7 755
E1	inch mm	1.6 40	1.6 40
E2	inch mm	1.2 30	1.6 40
F	inch mm	7.4 187	6.1 154
G	inch mm	9.2 233	9.2 233



W 326 GB - 92009 - Alterations reserved

### J.D. NEUHAUS GmbH & Co. KG

Windestraße  
58449 Witten-Heven · Germany  
Fon +49 (0) 2302 208 - 0  
Fax +49 (0) 2302 208 - 286  
eMail: info@jdn.de  
Internet: www.jdn.de



**J.D. NEUHAUS**  
powered by air!