



## Lifting jack model HB

Capacity 1000 kg

The stable lifting jack for supporting tube and bar material.

### Features

- The removable supporting roller facilitates sliding of heavy loads.
- The self-locking worm gear ensures safe holding of the load.
- Large base plate for a high level of stability.

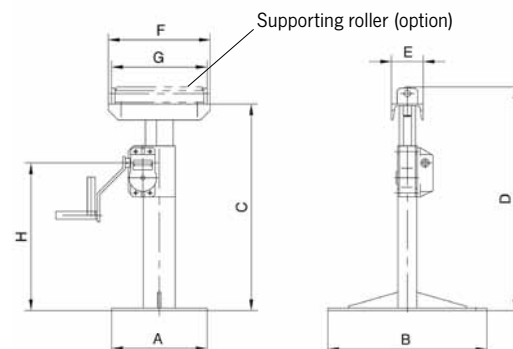
### Technical data model HB

Model	Art.-No.	Capacity kg	Height mm	Lifting height mm	Weight kg
HB	030060003	1000	650	350	34

### Technical data supporting roller HB-A

Model	Art.-No.	Capacity kg	Length mm	Width mm	Height mm	Weight kg
HB-A	030060011	1000	270	65	55	5

### Dimensions model HB



Model	
Art.-No.	030060003
A, mm	300
B, mm	500
C, mm	650
D, mm	705
E, mm	100
F, mm	320
G, mm	300
H, mm	465