



RACK JACK (STEEL JACK)

Rack jack produced to DIN standards, with lifting housing and solid claw, allowing an easy lift of any load.

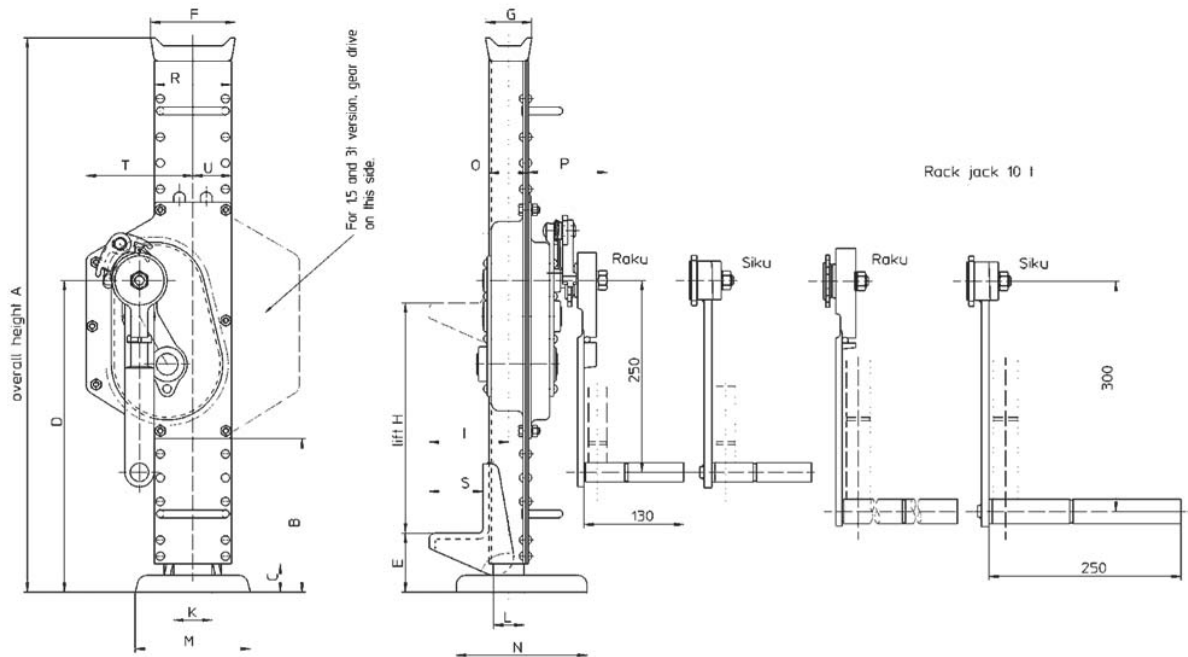
- Gears made of high quality hardened steel
- Easy and safe operation
- Loading on head or claw
- High stability due to a large ground plate
- Available with either SIKU safety cranks or RAKU ratchet cranks
- Proved safety system complying with the German safety regulations for lifting and pulling equipment BGV D8
- German manufacture

Options:

- Short version for lower height (1.5, 3, 5 ton)



62



DIMENSIONS (mm)

Capacity	Crank	A	B	C	D	E	F	G	H	I	K	L	M	N	O	P	R	S	T	U
1.5	Siku	725	237	37	350	70	100	50	350	84	35	25	130	140	33.5	108	78	60	86	39
1.5	Raku	725	237	37	350	70	100	50	350	84	35	25	130	140	33.5	108	78	60	86	39
3.0	Siku	725	182	40	387	79	100	50	350	92	45	30	130	140	39.5	94	92	65	132	72
3.0	Raku	725	182	40	387	79	100	50	350	92	45	30	130	140	39.5	94	92	65	132	72
3.0	Siku	722	200	37	406	77	110	60	300	104	50	40	150	170	51	105	100	70	139	50
5.0	Raku	722	200	37	406	77	110	60	300	104	50	40	150	170	51	105	100	70	139	50
10.0	Siku	797	167	42	448	82	125	70	300	128	60	50	150	170	62.5	115	132	85	184	66
10.0	Raku	797	167	42	448	82	125	70	300	128	60	50	150	170	62.5	115	132	85	184	66