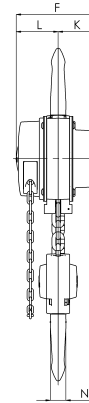
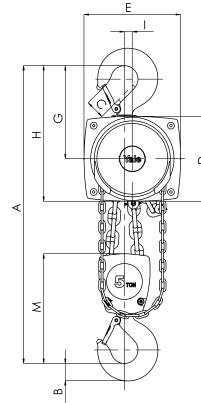
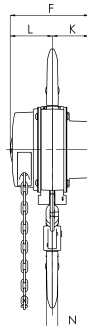
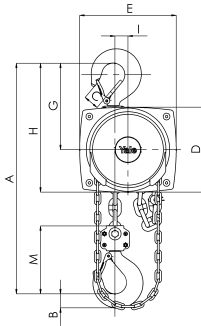


Hoisting Equipment Hand chain hoists

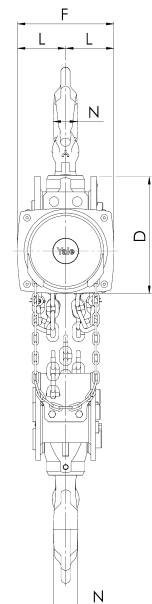
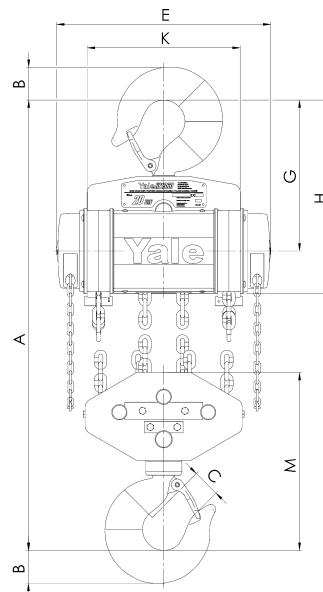
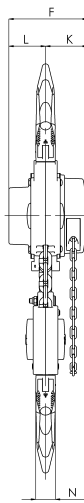
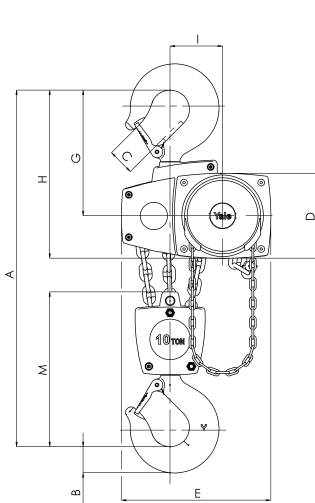
Dimensions model Yalelift

Model	YL 500	YL 1000	YL 2000	YL 3000	YL 5000	YL 10000	YL 20000
Amin., mm	300	335	395	520	654	825	1010
B, mm	17	22	30	38	45	68	85
C, mm	24	29	35	40	47	68	64
D, mm	133	156	182	220	220	220	303
E, mm	148	175	203	250	250	383	555
F, mm	139	157	183	204	204	204	250
G, mm	139	164	192	225	242	326	391
H, mm	206	242	283	335	352	436	501
I, mm	24	24	31	34	21	136	-
K, mm	61	70	83	95	95	95	396
L, mm	79	87	100	109	109	109	125
M, mm	110	125	156	178	285	401	471
N, mm	14	19	22	30	37	50	56



Model Yalelift 360, 500 - 3000 kg

Model Yalelift 360, 5000 kg



Model Yalelift 360, 10000 kg

Model Yalelift 360, 20000 kg