

JDN HYDRAULIC HOISTS AND MONORAIL HOISTS



Hydraulic Hoists PROFI / Hydraulic Monorail Hoists Carrying capacities: up to 100 t

JDN Hydraulic Hoists and Hydraulic Monorail Hoists are available with carrying capacities from 3 t up to 100 t. Depending on motor size these hoists work with an intake pressure of 100 bar up to 180 bar. Pressure fluid: Oil.

Advantages

- Ideally suited for working in hazardous areas (explosion risk)
- Sensitive, infinitely variable speed control of lifting/lowering and travelling motions
- Extremely low noise emissions
- Fully enclosed highly robust gear motor
- Integrated overload protection
- Only two supply connections at hoist "P" and "T", leakage oil drained internally
- Controlled load-lowering up to 20 t carrying capacities in the event of oil supply failure
- The drive is hermetically sealed off from the environment



PROFI 6 TI-H



J.D. NEUHAUS
powered by air!

Hydraulic Hoists PROFI 3 TI-H - 20TI-H

Technical Data

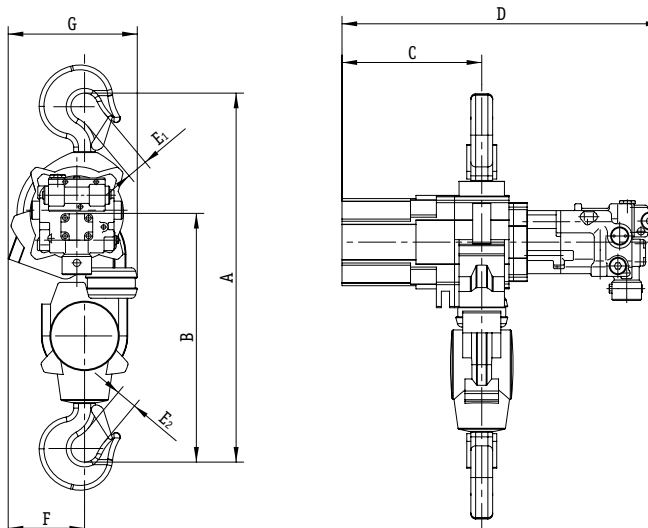
| Type | | 3 TI-H | 6 TI-H | 10 TI-H | 16 TI-H | 20 TI-H |
|--------------------------------------|--------|---------|---------|---------|---------|---------|
| Carrying capacity | mt | 3.2 | 6.3 | 10 | 16 | 20 |
| Number of chain strands | | 1 | 2 | 2 | 3 | 4 |
| Motortype | | KM 1/16 | KM 1/16 | KM 1/16 | KM 1/16 | KM 1/16 |
| Motor output | kW | 3.5 | 3.5 | 3.5 | 3.5 | 3.5 |
| Intake pressure | PSI | 1885 | 1885 | 1885 | 1885 | 1885 |
| | bar | 130 | 130 | 130 | 130 | 130 |
| Intake volume | cfm | 1.7 | 1.7 | 1.7 | 1.7 | 1.7 |
| | l/min | 48 | 48 | 48 | 48 | 48 |
| Lifting speed at full load | ft/min | 13.1 | 6.6 | 5.6 | 3.6 | 2.6 |
| | m/min | 4.0 | 2.0 | 1.7 | 1.1 | 0.8 |
| Lifting speed without load | ft/min | 14.8 | 7.6 | 6.6 | 4.3 | 3 |
| | m/min | 4.5 | 2.3 | 2.0 | 1.3 | 0.9 |
| Lowering speed at full load | ft/min | 14.8 | 7.6 | 6.9 | 4.9 | 3.3 |
| | m/min | 4.5 | 2.3 | 2.1 | 1.5 | 1.0 |
| Lowering speed without load | ft/min | 14.8 | 7.6 | 6.7 | 4.3 | 3 |
| | m/min | 4.5 | 2.3 | 2.0 | 1.3 | 0.9 |
| Connection | | G 1/2 | G 1/2 | G 1/2 | G 1/2 | G 1/2 |
| Hose dimension | | DN 12 | DN 12 | DN 12 | DN 12 | DN 12 |
| Weight at standard lift with control | lbs | 198.4 | 251.3 | 352.7 | 538.0 | 637.1 |
| | kg | 90 | 114 | 160 | 244 | 289 |
| Chain dimension | mm | 13 x 36 | 13 x 36 | 16 x 45 | 16 x 45 | 16 x 45 |
| Weight of chain | lbs/ft | 2.6 | 2.6 | 3.9 | 3.9 | 3.9 |
| | kg/m | 3.8 | 3.8 | 5.8 | 5.8 | 5.8 |
| Standard lift | ft | 10 | 10 | 10 | 10 | 10 |
| | m | 3 | 3 | 3 | 3 | 3 |
| Length of control at standard lift | ft | 6.5 | 6.5 | 6.5 | 6.5 | 6.5 |
| | m | 2 | 2 | 2 | 2 | 2 |

Group mechanism: M3 (1 Bm)

Dimensions

| Type | | 3 TI-H | 6 TI-H | 10 TI-H | 16 TI-H | 20 TI-H |
|----------------------------------|-----------|------------|------------|------------|------------|-------------|
| A smallest headroom ¹ | inch / mm | 23.4 / 593 | 26.5 / 674 | 32 / 813 | 35.4 / 898 | 40.6 / 1030 |
| B | inch / mm | 14.7 / 373 | 17.9 / 454 | 21.6 / 548 | 23.5 / 598 | 26.4 / 670 |
| C | inch / mm | 9.2 / 233 | 9.2 / 233 | 12.2 / 308 | 15 / 382 | 15 / 382 |
| D | inch / mm | 22.8 / 578 | 22.8 / 578 | 26.4 / 670 | 31 / 787 | 31 / 787 |
| E ₁ | inch / mm | 1.6 / 40 | 1.6 / 40 | 1.8 / 44 | 2.1 / 53 | 3 / 75 |
| E ₂ | inch / mm | 1.2 / 30 | 1.6 / 40 | 1.8 / 44 | 2.1 / 53 | 3 / 75 |
| F | inch / mm | 7.4 / 187 | 6.1 / 154 | 7.8 / 197 | 7.8 / 199 | 7.1 / 180 |

¹ Chain containers increase the hoist headroom



JDN HYDRAULIC HOISTS AND MONORAIL HOISTS



Hydraulic Hoists PROFI 25TI-H – 100TI-H

Technical Data

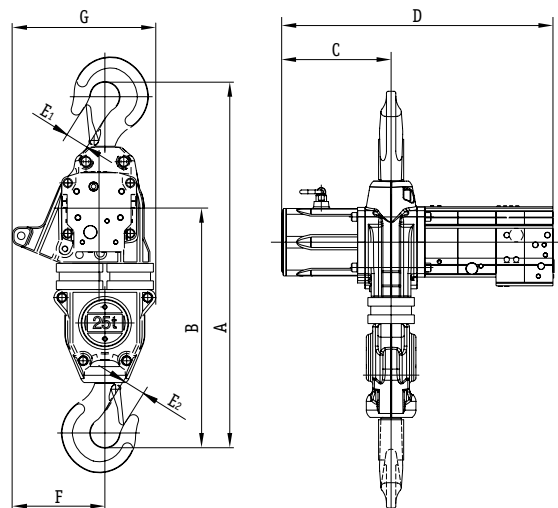
| Type | | 25 TI-H | 37 TI-H | 50 TI-H | 100 TI-H |
|---------------------------------------|--------|-----------|-----------|-----------|----------|
| Capacity | mt | 25 | 37.5 | 50 | 100 |
| Number of chain strands | | 2 | 3 | 4 | 4 |
| Motor output | kW | 6 | 6 | 6 | 10 |
| Motor type | | KM 2/32 | KM 2/32 | KM2/32 | KM2/32 |
| Intake pressure | PSI | 2176 | 2176 | 2176 | 2611 |
| | bar | 150 | 150 | 150 | 180 |
| Intake volume | cfm | 2.8 | 2.8 | 2.8 | 2.8 |
| | l/min | 80 | 80 | 80 | 80 |
| Lifting speed at rated load | ft/min | 3.6 | 2.3 | 1.6 | 1.8 |
| | m/min | 1.1 | 0.7 | 0.5 | 0.55 |
| Lifting speed without load | ft/min | 3.9 | 2.6 | 1.6 | 1.8 |
| | m/min | 1.2 | 0.8 | 0.5 | 0.55 |
| Lowering speed at rated load | ft/min | 3.9 | 2.6 | 1.6 | 2.0 |
| | m/min | 1.2 | 0.8 | 0.5 | 0.63 |
| Lowering speed without load | ft/min | 3.9 | 2.6 | 1.6 | 1.6 |
| | m/min | 1.2 | 0.8 | 0.5 | 0.5 |
| Connection | | G 3/4 | G 3/4 | G 3/4 | G 3/4 |
| Hose dimension | | DN 16 | DN 16 | DN 16 | DN 16 |
| Weight with standard lift and control | lbs | 1282 | 2123 | 2068 | 5412 |
| | kg | 583 | 965 | 940 | 2460 |
| Chain dimension | mm | 23.5 x 66 | 23.5 x 66 | 23.5 x 66 | 32 x 90 |
| Weight of chain | lbs/ft | 8.2 | 8.2 | 8.2 | 14.3 |
| | kg/m | 12.2 | 12.2 | 12.2 | 21.3 |
| Standard lift | ft | 10 | 10 | 10 | 10 |
| | m | 3 | 3 | 3 | 3 |
| Length of control with standard lift | ft | 6.5 | 6.5 | 6.5 | 6.5 |
| | m | 2 | 2 | 2 | 2 |

Group mechanism: PROFI 25TI-H – PROFI 50TI-H M3 (1 Bm), PROFI 100TI-H M2 (1 Cm)

Dimensions

| Type | | 25 TI-H | 37 TI-H | 50 TI-H | 100 TI-H |
|----------------------------------|------|---------|---------|---------|----------|
| A smallest headroom ¹ | inch | 50.5 | 57.7 | 66.9 | 86.6 |
| | mm | 1282 | 1466 | 1700 | 2200 |
| B | inch | 37.3 | 36.8 | 45 | 58.1 |
| | mm | 948 | 935 | 1144 | 1475 |
| C | inch | 15.5 | 14.8 | 17.4 | 27.8 |
| | mm | 393 | 377 | 442 | 705 |
| D | inch | 42.1 | 40.8 | 48.6 | 55.8 |
| | mm | 1069 | 1037 | 1235 | 1417 |
| E ₁ | inch | 3 | 3.9 | 3.9 | 4.2 |
| | mm | 75 | 100 | 100 | 120 |
| E ₂ | inch | 3 | 3.9 | 3.9 | 4.2 |
| | mm | 75 | 100 | 100 | 120 |
| F | inch | 18.4 | 20.4 | 12.2 | 17.3 |
| | mm | 466 | 518 | 310 | 440 |
| G | inch | 24 | 29.3 | 21.2 | 30.2 |
| | mm | 610 | 745 | 539 | 767 |

¹ Chain containers increase the hoist headroom





J.D. NEUHAUS
powered by air!

Hydraulic Monorail Hoists EH 20-H – 100-H

Technical Data

| Type | | EH 20-H | EH 25-H | EH 37-H | EH 50-H | EH 75-H | EH 100-H |
|---------------------------------------|--------|--------------|-----------|-----------|-----------|---------|----------|
| Capacity | mt | 20 | 25 | 37.5 | 50 | 75 | 100 |
| Number of chain strands | | 4 | 2 | 3 | 4 | 3 | 4 |
| Motor output – Trolley | kW | 0.7 | 1.4 | 1.4 | 1.4 | 2.8 | 2.8 |
| Motor output – Hoist | kW | 3.5 | 6 | 6 | 6 | 10 | 10 |
| Motor type – Trolley | | KM1/16 | KM1/16 | KM1/16 | KM1/16 | KM1/16 | KM1/16 |
| Motor type – Hoist | | KM1/8-KM1/16 | KM2/32 | KM2/32 | KM2/32 | KM2/32 | KM2/32 |
| Intake pressure | PSI | 2320/1450 | 2176 | 2176 | 2176 | 2610 | 2610 |
| | bar | 160/100 | 150 | 150 | 150 | 180 | 180 |
| Intake volume | cfm | 0.7/1.4 | 2.8 | 2.8 | 2.8 | 3 | 3 |
| | l/min | 20/40 | 80 | 80 | 80 | 80 | 80 |
| Lifting speed at rated load | ft/min | 2.6 | 3.6 | 2.3 | 1.6 | 2.3 | 1.8 |
| | m/min | 0.8 | 1.1 | 0.7 | 0.5 | 0.7 | 0.55 |
| Lifting speed without load | ft/min | 3 | 3.9 | 2.6 | 2 | 2.5 | 1.8 |
| | m/min | 0.9 | 1.2 | 0.8 | 0.6 | 0.75 | 0.55 |
| Lowering speed at rated load | ft/min | 3 | 3.9 | 2.6 | 2 | 2.6 | 2 |
| | m/min | 0.9 | 1.2 | 0.8 | 0.6 | 0.8 | 0.6 |
| Lowering speed without load | ft/min | 3 | 3.9 | 2.6 | 2 | 2.5 | 1.8 |
| | m/min | 0.9 | 1.2 | 0.8 | 0.6 | 0.75 | 0.55 |
| Travelling speed at rated load | ft/min | 39.4 | 39.4 | 39.4 | 39.4 | 39.4 | 39.4 |
| | m/min | 12 | 12 | 12 | 12 | 12 | 12 |
| Connection | | G 1/2 | G 3/4 | G 3/4 | G 3/4 | G 3/4 | G 3/4 |
| Hose dimension | | DN 12 | DN 16 | DN 16 | DN 16 | DN 16 | DN 16 |
| Weight with standard lift and control | lbs | 1584 | 2310 | 3410 | 4136 | 9020 | 12760 |
| | kg | 720 | 1050 | 1550 | 1880 | 4100 | 5800 |
| Chain dimension | mm | 16 x 45 | 23.5 x 66 | 23.5 x 66 | 23.5 x 66 | 32 x 90 | 32 x 90 |
| Weight of chain | lbs/ft | 3.9 | 8.2 | 8.2 | 8.2 | 14.3 | 14.3 |
| | kg/m | 5.8 | 12.2 | 12.2 | 12.2 | 21.3 | 21.3 |
| Standard lift | ft | 10 | 10 | 10 | 10 | 10 | 10 |
| | m | 3 | 3 | 3 | 3 | 3 | 3 |
| Length of control with standard lift | ft | 6.5 | 6.5 | 6.5 | 6.5 | 6.5 | 6.5 |
| | m | 2 | 2 | 2 | 2 | 2 | 2 |



EH 20-H

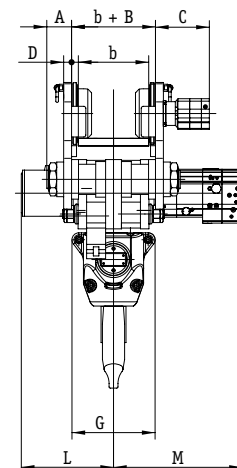
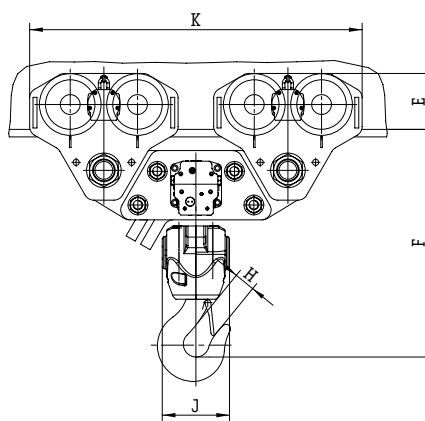


EH 25-H

Group mechanism: EH 20-H – EH 50-H M3 (1 Bm), EH 75-H and EH 100-H M2 (1 Cm)

Dimensions

| Type | | EH 20-H | EH 25-H | EH 37-H | EH 50-H | EH 75-H | EH 100-H |
|----------------|------|---------|---------|---------|---------|---------|----------|
| A | inch | 5.1 | 5.8 | 5.8 | 4.9 | 3.9 | 4.9 |
| | mm | 130 | 146 | 146 | 125 | 100 | 125 |
| B | inch | 2.7 | 2.8 | 2.8 | 2.7 | 2.7 | 2.7 |
| | mm | 68 | 70 | 70 | 68 | 68 | 68 |
| C | inch | 10.5 | 10.1 | 10.5 | 10.7 | 10.5 | 10.7 |
| | mm | 267 | 257 | 267 | 272 | 267 | 272 |
| D | inch | 1.4 | 1 | 1 | 1.6 | 1.4 | 1.6 |
| | mm | 35 | 25 | 25 | 40 | 35 | 40 |
| E | inch | 8.7 | 7.8 | 8.7 | 11.1 | 8.7 | 11.1 |
| | mm | 220 | 198 | 220 | 283 | 220 | 283 |
| F ¹ | inch | 32.3 | 39.3 | 42.1 | 45.3 | 58.3 | 60.4 |
| | mm | 820 | 998 | 1070 | 1150 | 1480 | 1535 |
| G | inch | 7.9 | 6.7 | 7.5 | 16.5 | 11.3 | 22.6 |
| | mm | 200 | 170 | 190 | 420 | 286 | 575 |
| H | inch | 3 | 3 | 3.9 | 3.9 | 4.7 | 4.7 |
| | mm | 75 | 75 | 100 | 100 | 120 | 120 |
| J | inch | 10.5 | 13.8 | 17.9 | 13.4 | 29.1 | 18.5 |
| | mm | 266 | 350 | 455 | 340 | 740 | 470 |
| K | inch | 23.6 | 46.7 | 68.1 | 66.1 | 126.4 | 123.2 |
| | mm | 600 | 1185 | 1730 | 1680 | 3210 | 3130 |
| L | inch | 14.5 | 14.8 | 14.8 | 18.2 | 25.2 | 30 |
| | mm | 367 | 377 | 377 | 462 | 640 | 762 |
| M | inch | 16.5 | 22.1 | 22.1 | 27.0 | 26.4 | 30.1 |
| | mm | 420 | 562 | 562 | 687 | 670 | 765 |



¹Chain containers increase the hoist headroom