

HYDRAULIC HOISTS PROFI

HYDRAULIC MONORAIL HOISTS

Carrying capacities: up to 100 t



PROFI 6 TI-H

The alternative to air hoists: **JDN Hydraulic Hoists and Hydraulic Monorail Hoists** with carrying capacities up to 100t.

Depending on motor size these hoists work with an intake pressure of 100 bar up to 180 bar. Pressure fluids: Oil or flame resistant fluids HFC.

Our Hydraulic hoists can be deployed as an alternative to air driven units in all places where hydraulic lines, central hydraulic systems or hydraulic power supplies exist.

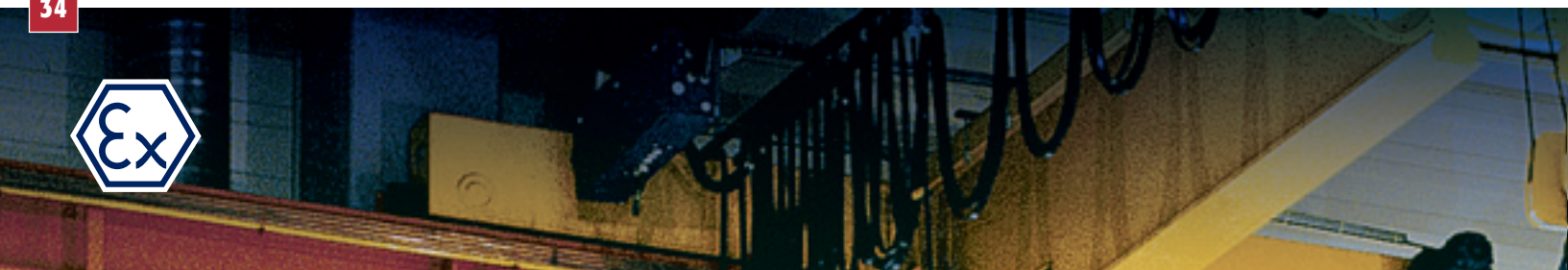
ADVANTAGES

- Ideal for applications in explosion risk areas
- Sensitive, infinitely variable speed control of lifting/lowering and travelling motions
- Extremely low noise emissions
- Fully enclosed highly robust gear motor
- Integrated overload protection
- Only two supply connections at hoist "P" and "T", leakage oil drained internally
- Controlled load-lowering up to 20 t carrying capacities in the event of oil supply failure

TECHNICAL DATA

Type		3 TI-H	6 TI-H	10 TI-H	16 TI-H	20 TI-H
Carrying capacity	mt	3.2	6.3	10	16	20
No. of chain strands		1	2	2	3	4
Motor type		KM 1/16	KM 1/16	KM 1/16	KM 1/16	KM 1/16
Motor output	kW	3.5	3.5	3.5	3.5	3.5
Intake pressure	PSI	1885	1885	1885	1885	1885
	Bar	130	130	130	130	130
Intake volume	cfm	1.7	1.7	1.7	1.7	1.7
	l/min	48	48	48	48	48
Lifting speed - full load	ft/min	13.1	6.6	5.6	3.6	2.6
	m/min	4.0	2.0	1.7	1.1	0.8
Lifting speed without load	ft/min	14.8	7.6	6.6	4.3	3
	m/min	4.5	2.3	2.0	1.3	0.9
Lowering speed - full load	ft/min	14.8	7.6	6.9	4.9	3.3
	m/min	4.5	2.3	2.1	1.5	1.0
Lowering speed without load	ft/min	14.8	7.6	6.7	4.3	3
	m/min	4.5	2.3	2.0	1.3	0.9
Connection		G 1/2	G 1/2	G 1/2	G 1/2	G 1/2
Hose dimension		DN 12	DN 12	DN 12	DN 12	DN 12
Weight at standard lift with control	lbs	198.4	251.3	352.7	538.0	637.1
	kg	90	114	160	244	289
Chain dimension	mm	13 x 36	13 x 36	16 x 45	16 x 45	16 x 45
Weight of chain	lbs/ft	2.6	2.6	3.9	3.9	3.9
	kg/m	3.8	3.8	5.8	5.8	5.8
Standard lift	ft	10	10	10	10	10
	m	3	3	3	3	3
Length of control at standard lift	ft	6.5	6.5	6.5	6.5	6.5
	m	2	2	2	2	2

Group mechanism: M3 (1 Bm)

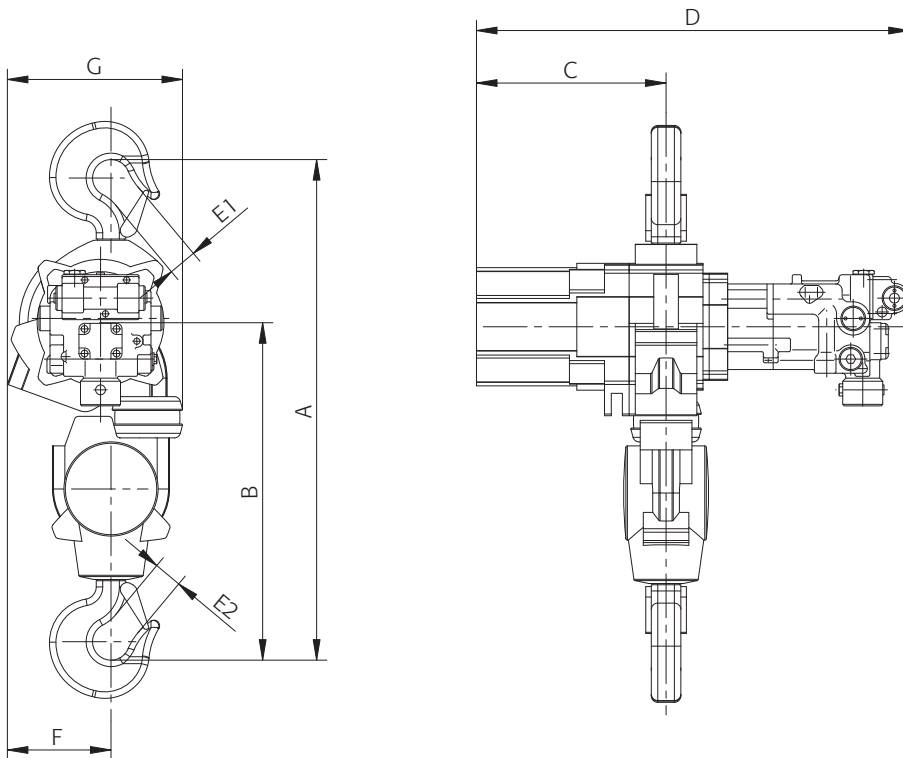


JDN HYDRAULIC HOISTS PROFI 3 TI-H - 20 TI-H

DIMENSIONS

Type		3 TI-H	6 TI-H	10 TI-H	16 TI-H	20 TI-H
A smallest headroom ¹	inch. mm	23.4 593	26.5 674	32 813	35.4 898	40.6 1030
B	inch. mm	14.7 373	17.9 454	21.6 548	23.5 598	26.4 670
C	inch. mm	9.2 233	9.2 233	12.2 308	15 382	15 382
D	inch. mm	21 533	21 533	24.6 625	29.2 742	29.2 742
E ¹	inch. mm	1.6 40	1.6 40	1.8 44	2.1 53	3 75
E ²	inch. mm	1.2 30	1.6 40	1.8 44	2.1 53	3 75
F ¹	inch. mm	7.4 187	6.1 154	7.8 197	7.8 199	7.1 180

¹Chain containers increase the hoist headroom



HYDRAULIC HOISTS PROFI 25 TI-H - 100 TI-H

TECHNICAL DATA

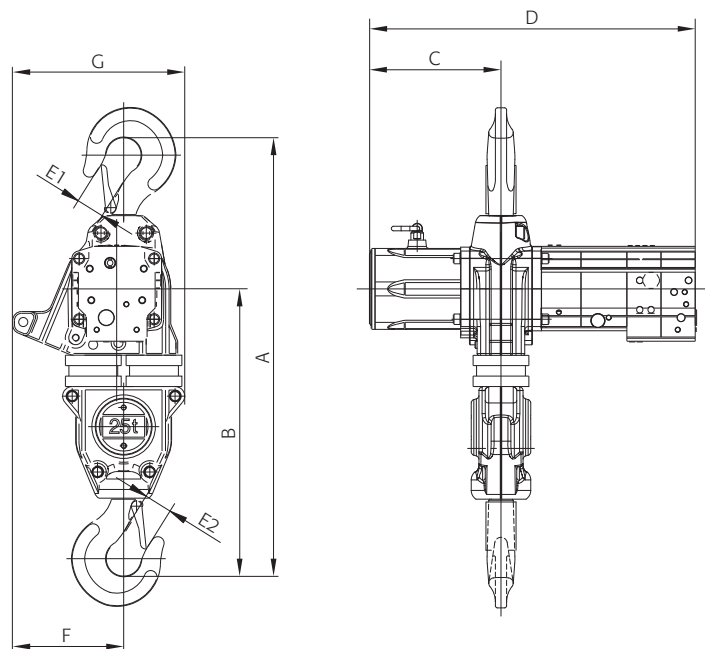
Type		25 TI-H	37 TI-H	50 TI-H	100 TI-H
Capacity	mt	25	37.5	50	100
Number of chain strands		2	3	4	4
Motor output	kW	6	6	6	10
Motor type		KM 2/32	KM 2/32	KM 2/32	KM 2/32
Intake pressure	PSI bar	2176 150	2176 150	2176 150	2611 180
Intake volume	cfm l/min	2.8 80	2.8 80	2.8 80	2.8 80
Lifting speed at rated load	ft/min m/min	3.6 1.1	2.3 0.7	1.6 0.5	1.8 0.55
Lifting speed without load	ft/min m/min	3.9 1.2	2.6 0.8	1.6 0.5	1.8 0.55
Lowering speed at rated load	ft/min m/min	3.9 1.2	2.6 0.8	1.6 0.5	2.0 0.63
Lowering speed without load	ft/min m/min	3.9 1.2	2.6 0.8	1.6 0.5	1.6 0.5
Connection		G 3/4	G 3/4	G 3/4	G 3/4
Hose dimension		DN 16	DN 16	DN 16	DN 16
Weight with standard lift height and control length	lbs kg	1282 583	2123 965	2068 940	5412 2460
Chain dimension	mm	23.5 x 66	23.5 x 66	23.5 x 66	32 x 90
Weight of chain	lbs/ft kg/m	8.2 12.2	8.2 12.2	8.2 12.2	14.3 21.3
Standard lift	ft m	10 3	10 3	10 3	10 3
Length of control with standard lift	ft m	6.5 2	6.5 2	6.5 2	6.5 2

Group mechanism: PROFI 25 TI-H - PROFI 50 TI-H M3 (1 Bm), PROFI 100 TI-H M2 (1 Cm)

DIMENSIONS

Type		25 TI-H	37 TI-H	50 TI-H	100 TI-H
A smallest headroom ¹	inch. mm	50.5 1282	57.7 1466	66.9 1700	86.6 2200
B	inch. mm	37.3 948	36.8 935	45 1144	58.1 1475
C	inch. mm	15.5 393	14.8 377	17.4 442	27.8 705
D	inch. mm	42.1 1069	40.8 1037	48.6 1235	55.8 1417
E1	inch. mm	3 75	3.9 100	3.9 100	4.2 120
E2	inch. mm	3 75	3.9 100	3.9 100	4.2 120
F	inch. mm	18.4 466	20.4 518	12.2 310	17.3 30.2
G	inch. mm	24 610	29.3 745	21.2 539	440 767

¹ Chain containers increase the hoist headroom



HYDRAULIC MONORAIL HOISTS EH 20-H - 100-H

TECHNICAL DATA

Type		EH 20-H	EH 25-H	EH 37-H	EH 50-H	EH 75-H	EH 100-H
Capacity	mt	20	25	37.5	50	75	100
Number of chain strands		4	2	3	4	3	4
Motor output – Trolley	kW	0.7	1.4	1.4	1.4	2.8	2.8
Motor output – Hoist	kW	3.5	6	6	6	10	10
Motor type – Trolley		KM1/16	KM1/16	KM1/16	KM1/16	KM1/16	KM1/16
Motor type – Hoist		KM1/8-KM1/16	KM 2/32	KM 2/32	KM 2/32	KM 2/32	KM 2/32
Intake pressure	PSI bar	2320.6/1450 160/100	2176 150	2176 150	2176 150	2610 180	2610 180
Intake volume	cfm l/min	0.7/1.4 20/40	2.8 80	2.8 80	2.8 80	3 80	3 80
Lifting speed at rated load	ft/min m/min	2.6 0.8	3.6 1.1	2.3 0.7	1.6 0.5	2.3 0.7	1.8 0.55
Lifting speed without load	ft/min m/min	3 0.9	3.9 1.2	2.6 0.8	2 0.6	2.5 0.75	1.8 0.55
Lowering speed at rated load	ft/min m/min	3 0.9	3.9 1.2	2.6 0.8	2 0.6	2.6 0.8	2 0.6
Lowering speed without load	ft/min m/min	3 0.9	3.9 1.2	2.6 0.8	2 0.6	2.5 0.75	1.8 0.55
Travelling speed at rated load	ft/min m/min	39.4 12	39.4 12	39.4 12	39.4 12	39.4 12	39.4 12
Connection		G 1/2	G 3/4	G 3/4	G 3/4	G 3/4	G 3/4
Hose dimension		DN 12	DN 16	DN 16	DN 16	DN 16	DN 16
Weight with standard lift height and control length	lbs kg	1584 720	2310 1050	3410 1550	4136 1880	9020 4100	12760 5800
Chain dimension	mm	16 x 45	23.5 x 66	23.5 x 66	23.5 x 66	32 x 90	32 x 90
Weight of chain	lbs/ft kg/m	3.9 5.8	8.2 12.2	8.2 12.2	8.2 12.2	14.3 21.3	14.3 21.3
Standard lift	ft m	10 3	10 3	10 3	10 3	10 3	10 3
Length of control with standard lift	ft m	6.5 2	6.5 2	6.5 2	6.5 2	6.5 2	6.5 2

Group mechanism: EH 20-H - EH 50-H M3 (1 Bm), EH 75-H and EH 100-H M2 (1 Cm)

DIMENSIONS

Type		EH 20-H	EH 25-H	EH 37-H	EH 50-H	EH 75-H	EH 100-H
A	inch. mm	5.1 130	5.8 146	5.8 146	4.9 125	3.9 100	4.9 125
B	inch. mm	2.7 68	2.8 70	2.8 70	2.7 68	2.7 68	2.7 68
C	inch. mm	10.5 267	10.1 257	10.5 267	10.7 272	10.5 267	10.7 272
D	inch. mm	1.4 35	1 25	1 25	1.6 40	1.4 35	1.6 40
E	inch. mm	8.7 220	7.8 198	8.7 220	11.1 283	8.7 220	11.1 283
F ¹	inch. mm	32.3 820	39.3 998	42.1 1070	45.3 1150	58.3 1480	60.4 1535
G	inch. mm	7.9 200	6.7 170	7.5 190	16.5 420	11.3 286	22.6 575
H	inch. mm	3 75	3 75	3.9 100	3.9 100	4.7 120	4.7 120
J	inch. mm	10.5 266	13.8 350	17.9 455	13.4 340	29.1 740	18.5 470
K	inch. mm	23.6 600	46.7 1185	68.1 1730	66.1 1680	126.4 3210	123.2 3130
L	inch. mm	14.5 367	14.8 377	14.8 377	18.2 462	25.2 640	30 762
M	inch. mm	16.5 419	22.1 562	22.1 562	27.0 687	26.4 670	30.1 765

¹ Chain containers increase the hoist headroom



EH 20-H



EH 25-H

