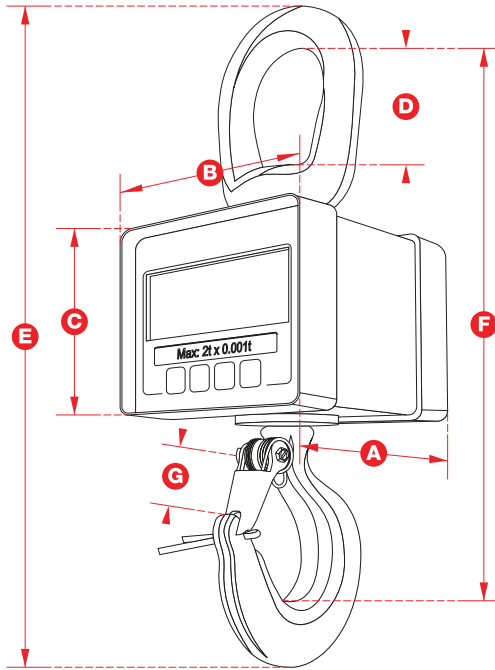




Our most popular product, manufactured since 1987. This crane scale will suit most lifting applications. Available in capacities from 100kg to 5 tonnes. All MWP's have push button control for: tare, units (kg, lbs, kN & t), peak hold, pre-set tare, audible setpoint alarm and overload counter. Supplied with high quality Crosby hook and lifting eye. Other fittings such as Gunnebo or rod ends are available on request. Supplied with aluminium flight case.

DIMENSIONS (SEE TABLE BELOW)



Part Number	MWP100KG	MWP250KG	MWP500KG	MWP1T	MWP2T	MWP5T
Capacity	100kg	250kg	500kg	1000kg	2t	5t
Resolution	0.05kg	0.1kg	0.2kg	0.5kg	0.001t	0.001t
Units	t, kg, kN and lbs					
Weight	1.5kg	1.5kg	1.5kg	1.5kg	3.1kg	8.7kg
Safety Factor	10:1	5:1	5:1	5:1	5:1	5:1
Battery Type	9v PP3					
Battery Life	80 hours continuous					
Display Type	25mm LCD					
Op Temp	-10 to 50c					
Accuracy	± 0.3% of applied load					
Protection	IP65					
Dimension A	82	82	82	82	117	136
Dimension B	113	113	113	113	112	112
Dimension C	81	81	81	81	92	92
Dimension D	50	50	50	50	64	98
Dimension E	240	240	240	240	320	444
Dimension F	208	208	208	208	271	365
Dimension G	22	22	22	22	28	42

PRICES AND SPECIFICATIONS [mm]

Non-indicating wireless version is available (price on application).

MINIWEIGHER PLUS

