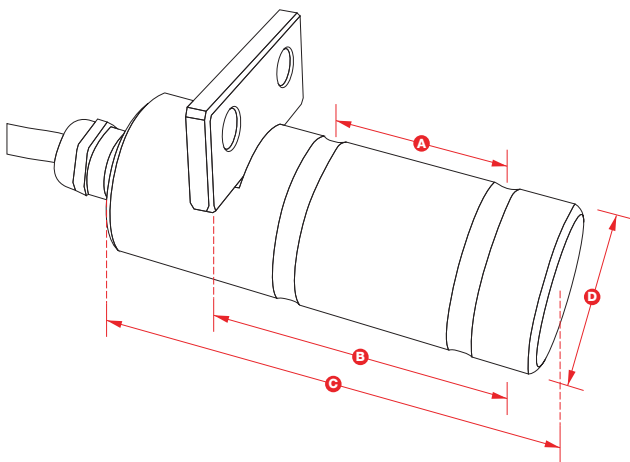


DIMENSIONS (SEE TABLE BELOW)



The Straightpoint range of Load Measurement Pins are designed for general use. They are machined from high tensile stainless steel and are normally supplied complete with an anti-rotation plate.

They are built to exacting standards and are suitable for use in exposed situations and can be supplied to withstand immersion in seawater. This range of load cells is Proof Loaded to 150% of the normal rated load.

10m cable supplied as standard - other lengths available on request.

Part N°	LP500KG	LP1T	LP2.5T	LP3.5T	LP6.5T	LP15T	LP25T	LP50T	LP100T	LP250T	LP500T	LP750T	LP1000T	LP1500T
Capacity	500kg	1000kg	2.5t	3.5t	6.5t	15t	25t	50t	100t	250t	500t	750t	1000t	1500t
Resolution	0.2kg	0.5kg	0.001t	0.001t	0.002t	0.002t	0.005t	0.01t	0.05t	0.1t	0.2t	0.2t	0.5t	0.5t
Weight	0.17kg	0.20kg	0.39kg	0.58kg	1.2kg	2.3kg	4.7kg	8kg	11kg	29kg	78kg	145kg	274kg	388kg
Protection	IP67 (IP68 available as option)													
Safety Factor	300% of SWL													
Op Temp	-20 to 70°C													
Accuracy	0.5% of SWL													
Dimension A	24	35	45	50	63	75	89	102	110	130	225	295	360	430
Dimension B	36	49	70	75	95	114	152	178	190	220	370	500	612	731
Dimension C	70	80	100	105	125	150	195	225	230	300	440	590	712	832
Dimension D	20	20	25	30	40	50	63	75	88	125	170	200	250	275

Please note: If you require a Loadpin to a particular size and design, download our Loadpin questionnaire and return POA. Wireless Load Pins available POA.

LOAD PIN

