

Hoisting Equipment Hand chain hoists

Technical data model VLRP and model VLRG

Model	Capacity kg	Beam flange width min. mm	Beam flange width max. straight beam mm	Beam flange thickness max. mm	Min. radius curve m	Pull on hand chain at WLL daN	Net weight kg
VLRP 0.25	250	67	117	16	0.53	8	58
VLRP 0.5	500	67	117	16	0.5	16	58
VLRP 1.0	1000	76	117	16	0.5	32	58
VLRP 1.5	1500	86	140	16	0.76	26	113
VLRP 2.0	2000	86	140	16	0.76	35	115
VLRP 3.0	3000	102	178	16	1.0	19	158
VLRP 4.0	4000	102	178	16	1.0	27	160
VLRP 5.0	5000	117	203	22	1.2	33	213
VLRP 6.0	6000	117	203	22	1.2	41	213
VLRG 0.25	250	67	117	16	0.5	8	66
VLRG 0.5	500	67	117	16	0.5	16	66
VLRG 1.0	1000	76	117	16	0.5	32	66
VLRG 1.5	1500	86	140	16	0.76	26	122
VLRG 2.0	2000	86	140	16	0.76	35	123
VLRG 3.0	3000	102	178	16	1.0	19	172
VLRG 4.0	4000	102	178	16	1.0	27	175
VLRG 5.0	5000	117	203	22	1.2	33	227
VLRG 6.0	6000	117	203	22	1.2	41	227

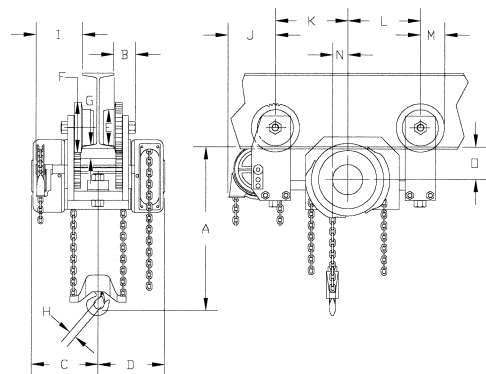
Dimensions model VLRP

Model	VLRP 0.25	VLRP 0.5	VLRP 1.0	VLRP 1.5	VLRP 2.0	VLRP 3.0	VLRP 4.0	VLRP 5.0	VLRP 6.0
A, mm	157	157	157	171	171	210	234	252	252
B, mm	51	51	51	56	56	68	65	71	71
C, mm	167	167	167	220	220	250	250	257	257
D, mm	167	167	167	220	220	250	250	257	257
E, mm	95	95	95	114	114	162	162	182	182
F, mm	127	127	127	152	152	203	203	229	229
G, mm	22	22	22	16	16	24	24	22	22
H, mm	25	25	25	29	29	34	42	42	42
K, mm	184	184	184	289	289	294	294	294	294
L, mm	165	165	165	194	194	195	195	223	223
M, mm	64	64	64	77	77	101	101	114	114
N, mm	35	35	35	77	77	77	77	77	77
O, mm	75	75	75	48	48	87	87	98	98



Dimensions model VLRG

Model	VLRG 0.25	VLRG 0.5	VLRG 1.0	VLRG 1.5	VLRG 2.0	VLRG 3.0	VLRG 4.0	VLRG 5.0	VLRG 6.0
A, mm	157	157	157	171	171	210	234	252	252
B, mm	51	51	51	56	56	68	65	71	71
C, mm	167	167	167	220	220	250	250	257	257
D, mm	167	167	167	220	220	250	250	257	257
E, mm	95	95	95	114	114	162	162	182	182
F, mm	127	127	127	152	152	203	203	229	229
G, mm	22	22	22	16	16	24	24	22	22
H, mm	25	25	25	29	29	34	42	42	42
I, mm	119	119	119	182	182	206	206	216	216
J, mm	95	95	95	159	159	155	155	176	176
K, mm	184	184	184	289	289	294	294	294	294
L, mm	165	165	165	194	194	195	195	223	223
M, mm	64	64	64	77	77	101	101	114	114
N, mm	35	35	35	77	77	77	77	77	77
O, mm	75	75	75	48	48	87	87	98	98



Model VLRP/VLRG