

Technical data model LB

Model	Art.-No. Zinc-plated version	Art.-No. Free wheeling device	Art.-No. Stainless steel version	Capacity 1 st layer kg	Capacity top layer kg	Rope diameter mm	Useable rope length 1 st layer m	Useable rope length max. m	Lift per crank rotation mm	Required crank effort daN	Weight without rope kg
LB 150 VZ	030239016	-	-	150	75	4*	0.8	11	125	17	4.2
LB 350 VZ	030239015	-	-	350	170	4*	1.8	20	125	25	4.8
LB 650 VZ	040239004	-	-	650	290	6*	1	20	55	22	7.3
LB 900 VZ/ARA	040239006	040239007	-	900	400	7*	0.8	14	58	24	10
LB 1200 VZ/ARA	040239008	040239009	-	1200	430	7**	1	26	45	24	12.1
LB 250 VA	-	-	030239017	250	125	4*	1.8	19.5	125	20	4.8
LB 650 VA	-	-	040239012	650	290	6*	1	20	55	22	7.6
LB 900 VA	-	-	030239013	900	320	7*	1	26	45	24	12.1

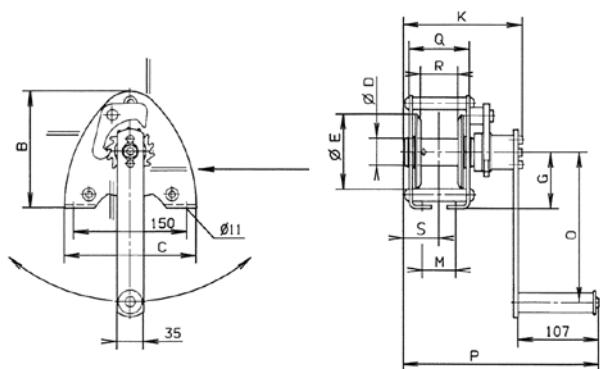
*recommended rope: DIN 3060 FE-znk 1770 sZ-spa

**recommended rope: DIN 3060 SE-znk 2160 sZ-spa

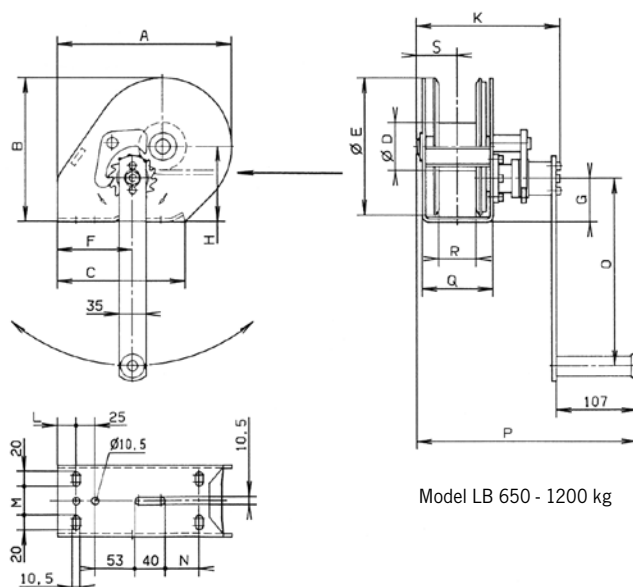
Dimensions model LB

Model	LB 150 VZ	LB 350 VZ	LB 650 VZ	LB 900 VZ LB 900 ARA	LB 1200 VZ LB 1200 ARA	LB 250 VA	LB 650 VA	LB 900 VA
Art.-No. Zinc-plated version	030239016	030239015	040239004	040239006	040239008	-	-	-
Art.-No. Free wheeling device	-	-	-	040239007	040239009	-	-	-
Art.-No. Stainless steel version	-	-	-	-	-	030239017	040239012	030239013
A, mm	-	-	232	232	273	-	232	273
B, mm	155	155	192	192	266	155	192	266
C, mm	175	175	210	210	240	175	210	240
Ø D, mm	36	36	63.5	63.5	63.5	36	63.5	63.5
Ø E, mm	100	100	183	183	255	100	183	255
F, mm	-	-	100	100	78	-	100	78
G, mm	75	75	58	58	75	75	58	75
H, mm	-	-	100	100	138	-	100	138
K, mm	159	189	192	192/226*	192/226*	191.5	190	190
L, mm	-	-	25	25	35	-	25	35
M, mm	45	75	38	38	30	75	38	30
N, mm	-	-	-	-	53	-	-	53
O, mm	200	320	250	320	320	320	250	250
P, mm	260	290	293	293/303*	293/303*	292.5	291	291
Q, mm	81	111	95	95	95	111	95	95
R, mm	50	80	50	50	50	80	50	50
S, mm	48	63	55	55	55	65.5	55	55

*Free wheeling device



Model LB 150 - 350 kg



Model LB 650 - 1200 kg