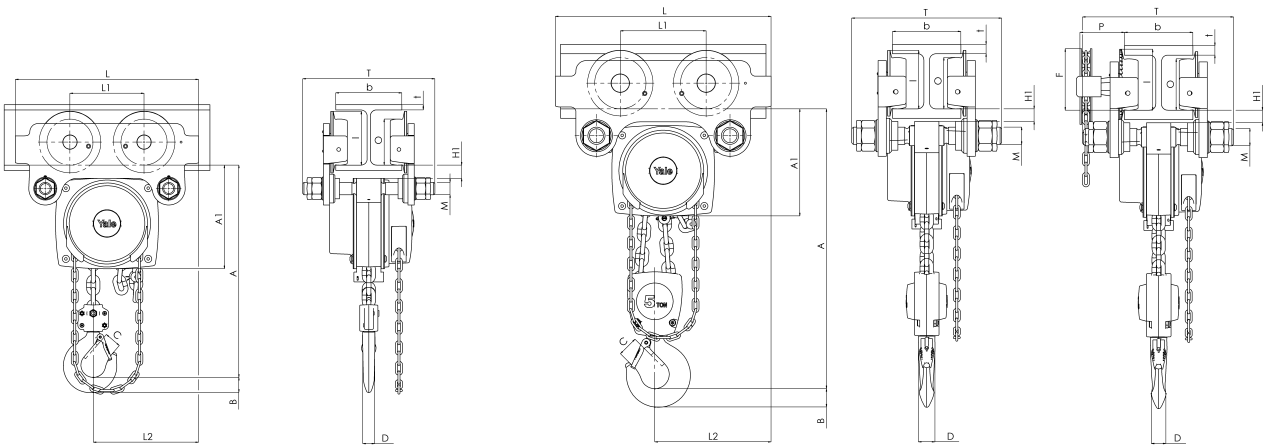


# Hoisting Equipment Hand chain hoists

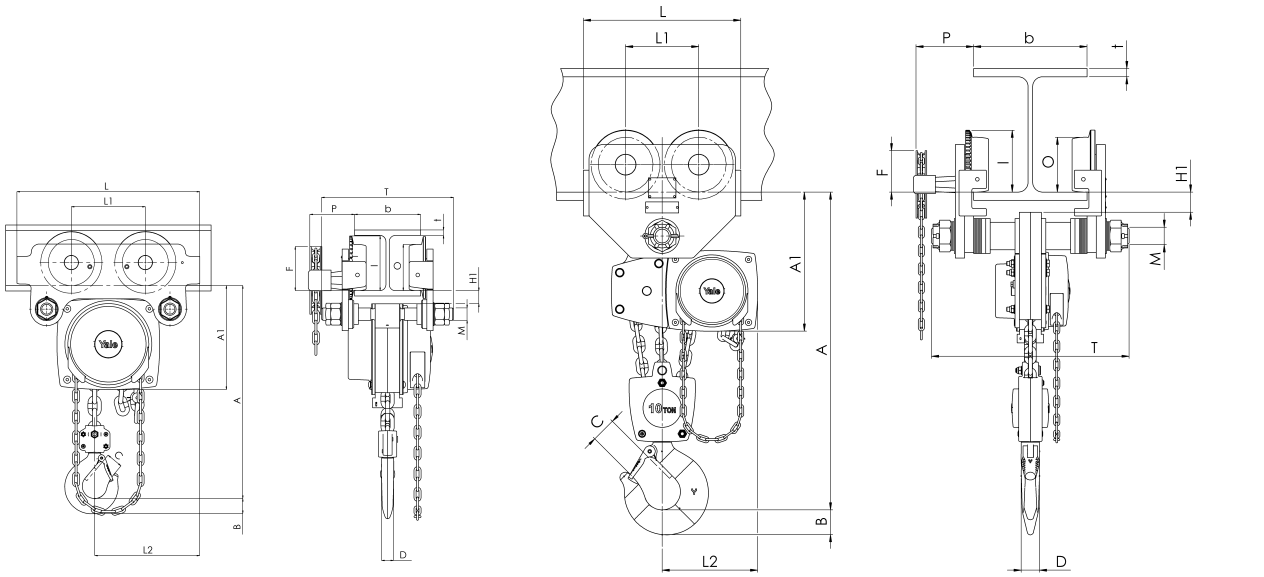
## Dimensions model Yalelift IT

Model	YLIT 500	YLIT 1000	YLIT 2000	YLIT 3000	YLIT 5000	YLIT 10000
Amin., mm	245	272	323	382	550	784
A1, mm	158	178	205.5	252	260.5	380
A2, mm	-	-	-	-	-	-
B, mm	17	22	30	38	45	68
C, mm	24	29	35	40	47	68
D, mm	14	19	22	30	37	50
F (Geared), mm	92	92	91	107	149.5	113
H1, mm	24.5	24	23.5	32	30.5	55
I (Pushed), mm	71.5	71.5	95.5	131	142.5	169
I (Geared), mm	76.5	76.5	98	132.5	148.5	169
L, mm	270	310	360	445	525	430
L1, mm	130	130	150	180	209	200
L2, mm	159	175	207	256	283	261
L3, mm	-	-	-	-	-	-
L4, mm	-	-	-	-	-	-
M, mm	M 18	M 22	M 27	M 30	M 42	M 48
O, mm	60	60	80	112	125	150
P (Geared), mm	108	110	112	112	117	158
T (area A), mm	280	290	305	320	364	540
T (area B), mm	400	410	425	440	484	540



Model Yalelift ITP, 500 - 3000 kg

Model Yalelift ITP/ITG 5000 kg



Model Yalelift ITG, 500 - 3000 kg

Model Yalelift ITG, 10000 kg