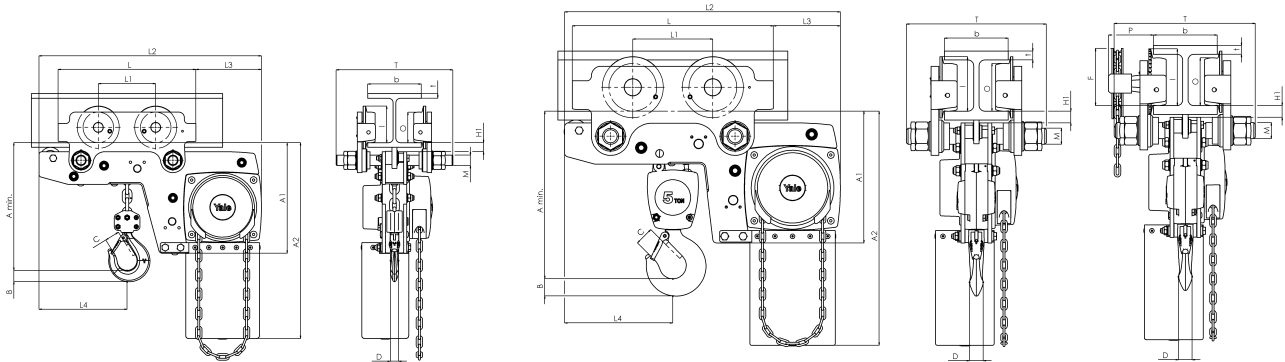


Hoisting Equipment Hand chain hoists

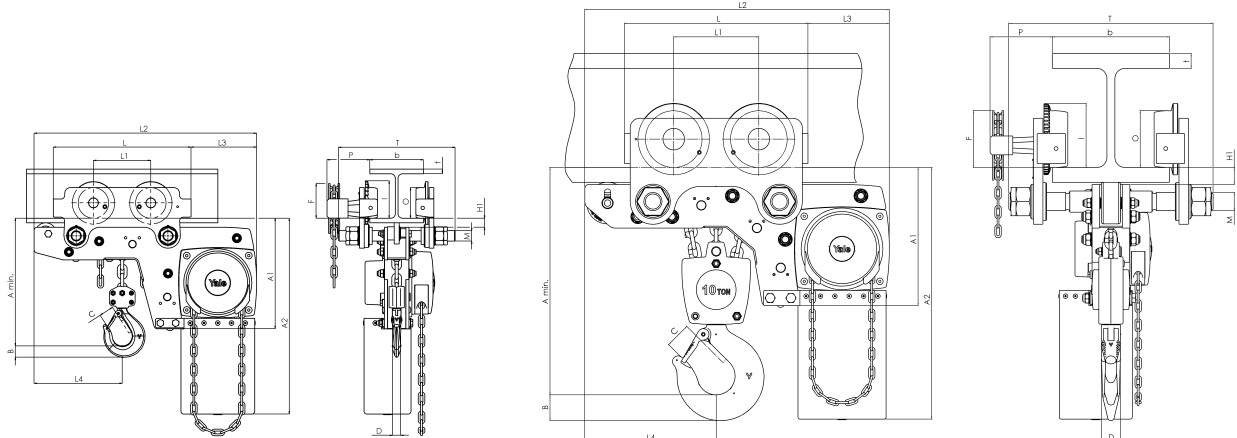
Dimensions model Yalelift LH

Model	YLLH 500	YLLH 1000	YLLH 2000	YLLH 3000	YLLH 5000	YLLH 10000
Amin., mm	188	211	264	316	425	565
A1, mm	223	250	289	346	345	365
A2, mm	381	427	511	614	612	665
B, mm	17	22	30	38	45	68
C, mm	24	29	35	40	47	68
D, mm	14	19	22	30	37	50
F (Geared), mm	92	92	91	107	150	150
H1, mm	24	24	24	32	31	45
I (Pushed), mm	72	72	96	131	143	170
I (Geared), mm	77	77	98	133	149	170
L, mm	270	310	360	445	525	485
L1, mm	130	130	150	180	209	225
L2, mm	444	488	582	690	720	805
L3, mm	124	135	172	203	175	215
L4, mm	184	201	230	265	283	348
M, mm	M 18	M 22	M 27	M 30	M 42	M 48
O, mm	60	60	80	112	125	150
P (Geared), mm	108	110	112	112	117	165
T (area A), mm	280	290	305	320	364	440
T (area B), mm	400	410	425	440	484	540



Model Yalelift LHP, 500 - 3000 kg

Model Yalelift LHP/LHG, 5000 kg



Model Yalelift LHG, 500 - 3000 kg

Model Yalelift LHG, 10000 kg