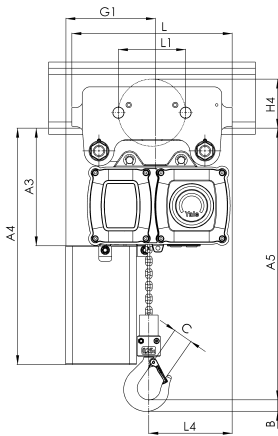
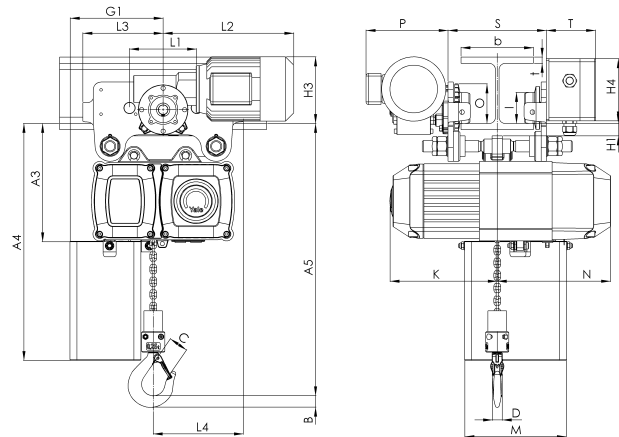


Dimensions model YaleVego CPV/CPVF

Model	CPV/CPVF 1-8	CPV/CPVF 2-8	CPV/CPVF 5-4	CPV/CPVF 5-8	CPV/CPVF 10-4	CPV/CPVF 10-8	CPV/CPVF 20-4
A3, mm	228	228	228	228	228	263	263
A4 (Size I), mm	408	408	408	408	408	493	493
A4 (Size II), mm	458	458	458	458	458	573	573
A4 (Size III), mm	538	538	538	538	538	-	-
A5, mm	385	385	425	385	462	456	553
b, mm	A = 50 - 180/ B = 180 - 300	A = 50 - 180/ B = 180 - 300	A = 50 - 180/ B = 180 - 300	A = 50 - 180/ B = 180 - 300	A = 50 - 180/ B = 180 - 300	A = 50 - 180/ B = 180 - 300	A = 50 - 180/ B = 180 - 300
H1, mm	24	24	24	24	24	23	23
H2, mm	158	158	158	158	158	186	186
H3, mm	129	129	129	129	129	129	129
H4 (VTG), mm	95	95	95	95	95	95	95
H4 (VTE), mm	120	120	120	120	120	120	120
I (VTP), mm	72	72	72	72	72	96	96
I (VTG), mm	77	77	77	77	77	98	98
L (VTP/VTG), mm	310	310	310	310	310	360	360
L1, mm	130	130	130	130	130	150	150
L2 (CPV), mm	265	265	265	265	265	265	265
L2 (CPVF), mm	265	265	265	265	265	265	265
L3, mm	155	155	155	155	155	180	180
L4, mm	161	161	161	161	161	203	203
O, mm	60	60	60	60	60	80	80
P, mm	200	200	200	200	200	200	200
P1, mm	246	246	246	246	246	246	246
S, mm	b + 50	b + 50	b + 50	b + 50	b + 50	b + 54	b + 54
T, mm	95	95	95	95	95	95	95
tmax., mm	19	19	19	19	19	19	19



Model YaleVego CPV/CPVF with integrated manual push or geared trolley



Model YaleVego CPV/CPVF with integrated electric trolley